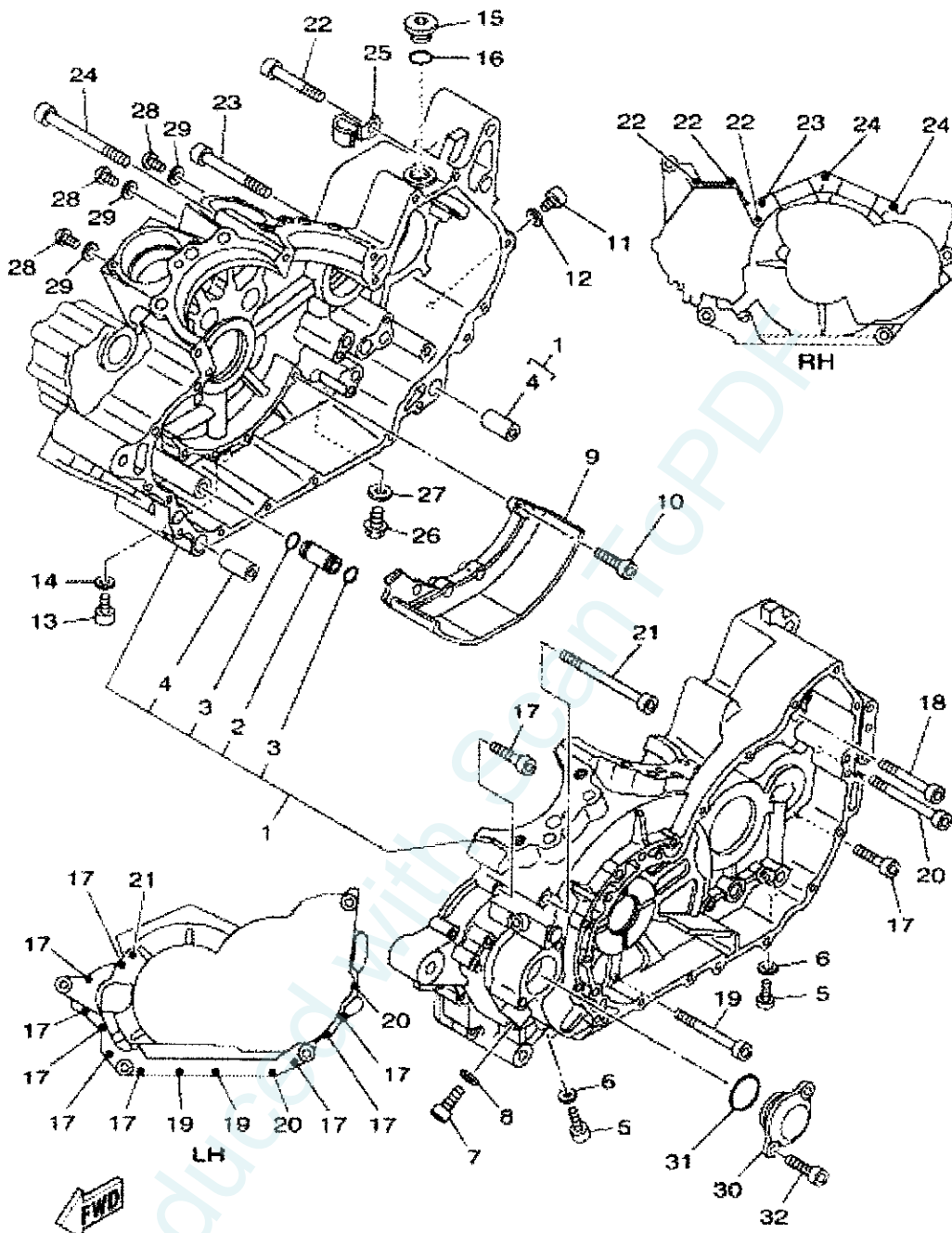


(c) 2005-2009 Yamaha Motor Corporation, U.S.A.

Item	Part #	Description	Notes	Req
1	5PX-15411-00-00	COVER, CRANKCASE 1		1
2	93317-11287-00	BEARING		1
3	93102-12224-00	OIL SEAL		1
4	5PX-15414-00-00	COVER, AIR CLEANER		1
5	91314-06016-00	BOLT		6

5	5PX-1542A-00-00	DAMPER 1	1
7	5PX-15451-00-00	GASKET, CRANKCASE COVER 1	1
8	90340-14117-00	PLUG, STRAIGHT SCREW	1
9	93210-14369-00	O-RING	1
10	90340-32080-00	PLUG, STRAIGHT SCREW	1
11	93210-32172-00	O-RING	1
12	99530-10114-00	PIN, DOWEL	2
13	91314-06035-00	BOLT	7
14	91314-06045-00	BOLT	4
15	91314-06070-00	BOLT	5
16	4WM-15142-00-00	GUIDE 1	1
17	4WM-15143-00-00	GUIDE	1
18	4WM-15484-00-00	CLAMP 2	1
19	98507-06010-00	SCREW, PAN HEAD	7
20	5PX-15423-00-00	COVER 2	1
21	4WM-15326-00-00	DAMPER, ENGINE MOUNT 2	1
22	91314-06025-00	BOLT	1
23	91314-06035-00	BOLT	1
24	91314-06060-00	BOLT	4
25	91808-16023-00	PIN, DOWEL	2
26	5PX-15425-00-00	COVER, GENERATOR 2	1
27	4WM-15316-00-00	DAMPER, ENGINE MOUNT 1	1
28	90151-05001-00	SCREW, COUNTERSUNK	2
29	5PX-15421-00-00	COVER, CRANKCASE 2	1
30	4WM-15377-00-00	GUIDE, INLET	1
31	91317-06010-00	BOLT	1
32	5PX-15461-00-00	GASKET, CRANKCASE COVER 2	1
33	99530-10114-00	PIN, DOWEL	2
34	91314-06030-00	BOLT	9
35	91314-06050-00	BOLT	1
36	91314-06065-00	BOLT	1
37	90430-06014-00	GASKET	1
38	5PX-15431-00-00	COVER, CRANKCASE 3	1
39	5PX-15462-00-00	GASKET, CRANKCASE COVER 3	1
40	93606-10227-00	PIN, DOWEL	2
41	91314-06035-00	BOLT	7
42	5PX-12278-00-00	COVER, DECOMP.	1
43	5PX-15429-00-00	COVER, SHIFTER	1
44	93104-08089-00	OIL SEAL	1
45	5PX-15427-00-00	COVER, CAP 2	1
46	4WM-15335-00-00	DAMPER 3	1
47	92017-06010-00	BOLT, BUTTON HEAD	2
48	5PX-12286-00-00	GASKET, DECOMPRESSION	1
49	93606-10227-00	PIN, DOWEL	4

50	91314-06025-00	BOLT	1
51	91314-06040-00	BOLT	5
52	5PX-12275-00-00	COVER, DECOMP LEVER	1
53	91314-06025-00	BOLT	2
54	90116-12240-00	BOLT, STUD	8
55	90116-10344-00	BOLT, STUD	4
56	93210-750A1-00	O-RING	1
57	90116-08065-00	BOLT, STUD	1
58	90340-14132-00	PLUG, STRAIGHT SCREW	1
59	214-11198-01-00	GASKET	1
60	5PX-15441-00-00	HOLDER, CLUTCH CABLE	1
61	5PX-15413-00-00	COVER	1



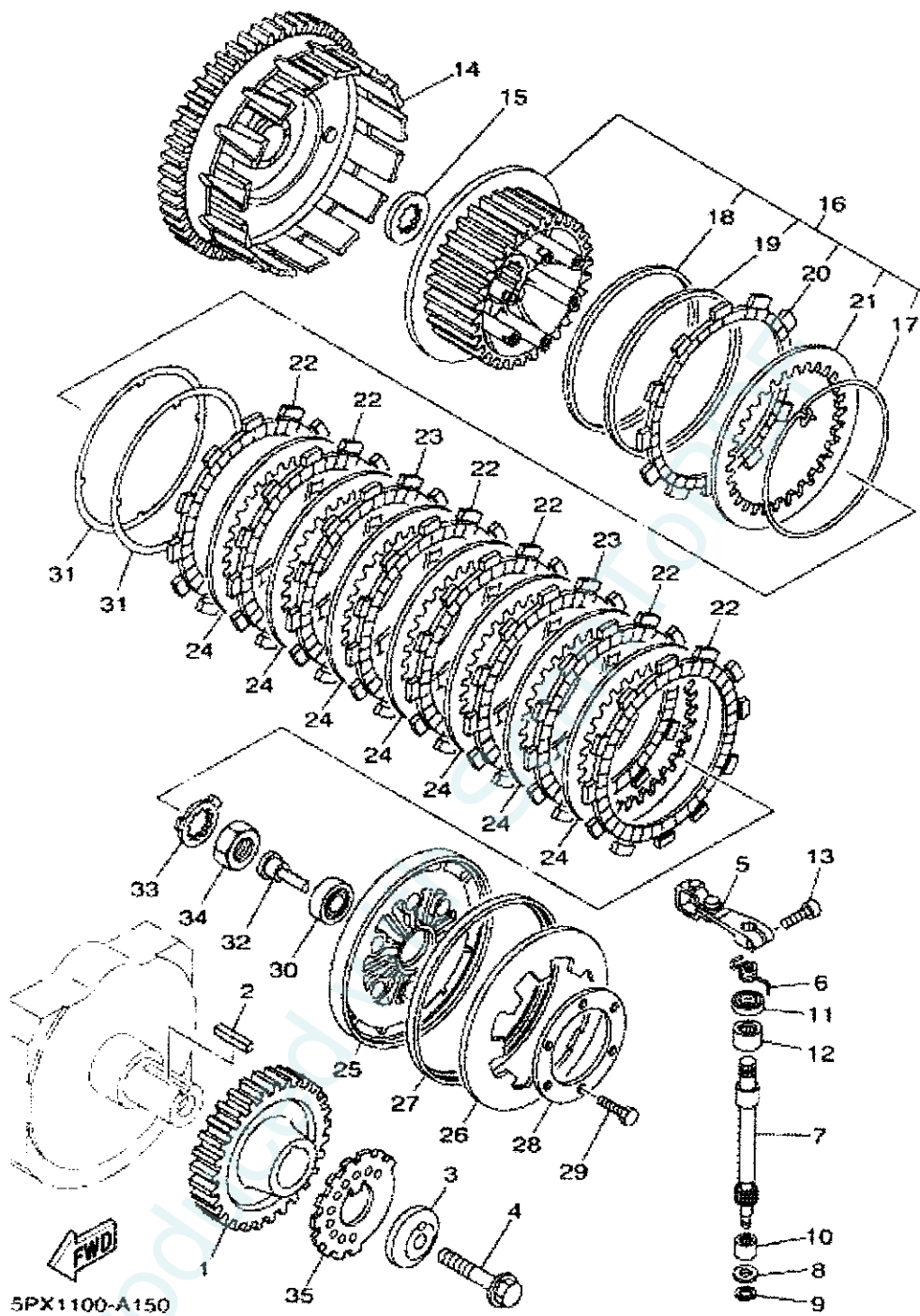
SPX1100-A120

(c) 2005-2009 Yamaha Motor Corporation, U.S.A.

Item	Part #	Description	Notes	Req
1	5PX-15100-01-00	CRANKCASE ASSY		1
2	4WM-15138-00-00	NOZZLE 1		1
3	93210-10001-00	O-RING		2
4	99530-14016-00	PIN, DOWEL		2
5	90110-05013-00	BOLT, HEXAGON SOCKET HEAD		2

www.scantopdf.eu

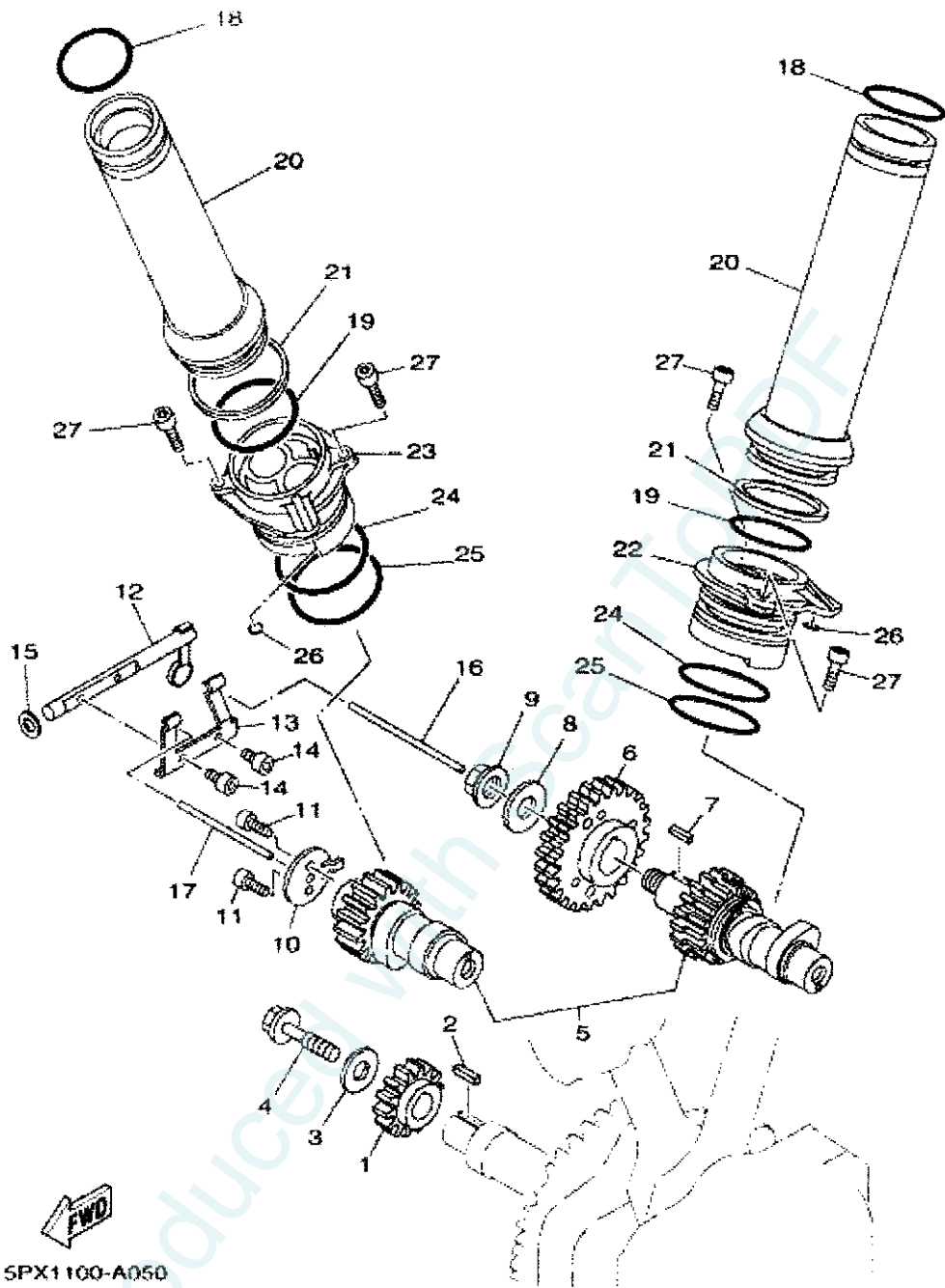
6	90430-05126-00	GASKET	2
7	90110-08014-00	BOLT, HEXAGON SOCKET HEAD	1
8	90430-08119-00	GASKET	1
9	4WM-15123-00-00	PLATE, BUFFLE 1	1
10	90110-06044-00	BOLT, HEXAGON SOCKET HEAD	4
11	90110-05013-00	BOLT, HEXAGON SOCKET HEAD	1
12	90430-05126-00	GASKET	1
13	90110-08014-00	BOLT, HEXAGON SOCKET HEAD	1
14	90430-08119-00	GASKET	1
15	5PX-15189-00-00	PLUG	1
16	93210-22382-00	O-RING	1
17	91314-06040-00	BOLT	9
18	91314-06060-00	BOLT	1
19	91314-06075-00	BOLT	2
20	91314-06085-00	BOLT	2
21	91314-06105-00	BOLT	1
22	91314-06060-00	BOLT	3
23	91314-08080-00	BOLT	1
24	91314-08100-00	BOLT	2
25	90465-08037-00	CLAMP	1
26	95024-08012-00	BOLT, FLANGE	1
27	90430-08119-00	GASKET	1
28	92014-05010-00	BOLT, BUTTON HEAD	3
29	90430-05126-00	GASKET	3
30	5PX-15417-01-00	COVER, CAP	1
31	93210-37532-00	O-RING	1
32	91314-06016-00	BOLT	2



(c) 2005-2009 Yamaha Motor Corporation, U.S.A.

Item	Part #	Description	Notes	Req
1	4WM-16111-00-00	GEAR, PRIMARY DRIVE		1
2	4WM-16193-00-00	KEY, FEATHER		1
3	4WM-16181-00-00	SPACER 1		1
4	90101-12011-00	BOLT		1
5	5PX-16340-00-00	PUSH LEVER ASSY		1

6	90508-16007-00	SPRING, TORSION	1
7	4WM-16382-00-00	AXLE, PUSH LEVER	1
8	92907-08600-00	WASHER, PLATE	1
9	99001-07600-00	CIRCLIP	1
10	93317-11020-00	BEARING	1
11	93102-15212-00	OIL SEAL	1
12	93315-31502-00	BEARING	1
13	91314-06020-00	BOLT	1
14	4WM-16150-00-00	PRIMARY DRIVEN GEAR COMP.	1
15	26H-16154-00-00	PLATE, THRUST 1	1
16	5PX-16370-00-00	CLUTCH BOSS ASSY	1
17	26H-16385-00-00	RING, CLUTCH BOSS	1
18	26H-16384-00-00	PLATE, SEAT	1
19	1FK-16383-00-00	SPRING, CLUTCH BOSS	1
20	26H-16321-01-00	PLATE, FRICTION	1
21	26H-16324-00-00	PLATE, CLUTCH 1	1
22	26H-16307-01-00	PLATE, FRICTION 3	6
23	26H-16321-01-00	PLATE, FRICTION	2
24	26H-16324-00-00	PLATE, CLUTCH 1	7
25	1FK-16351-00-00	PLATE, PRESSURE 1	1
26	1FK-16334-10-00	SPRING, CLUTCH 2	1
27	1FK-16335-00-00	HOUSING, SPRING	1
28	5PX-16352-00-00	PLATE, PRESSURE 2	1
29	97007-06025-00	BOLT	6
30	93306-00304-00	BEARING (B6003C4)	1
31	5PX-16383-00-00	SPRING, CLUTCH BOSS	2
32	4XV-16356-01-00	ROD, PUSH 1	1
33	90215-25218-00	WASHER, LOCK	1
34	90179-20003-00	NUT	1
35	5PX-81673-00-00	ROTOR	1

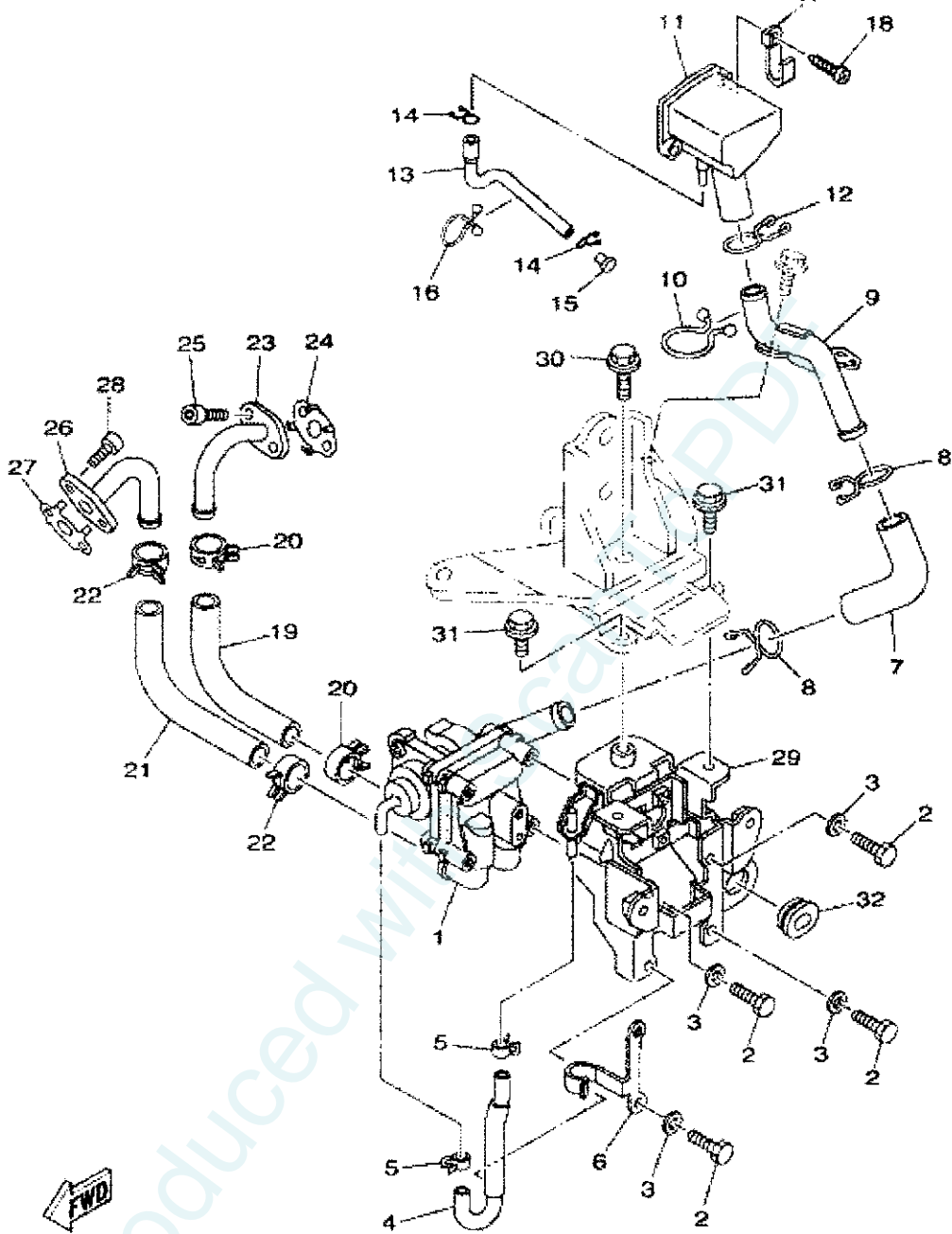


SPX1100-A050

(c) 2005-2009 Yamaha Motor Corporation, U.S.A

Item	Part #	Description	Notes	Req
1	4VM-11534-00-00	GEAR, BREAKER DRIVE		1
2	90282-03039-00	KEY, STRAIGHT		1
3	90201-100L3-00	WASHER, PLATE		1
4	90105-10290-00	BOLT, FLANGE		1
5	5PX-W1211-00-00	CAM SHAFT ASSY		1

6	4WM-W1153-00-00	DRIVEN GEAR COMP.	1
7	90282-03012-00	KEY, STRAIGHT	1
8	90201-140H8-00	WASHER, PLATE	1
9	90179-14469-00	NUT	1
10	5PX-11951-00-00	PLATE	1
11	90110-05013-00	BOLT, HEXAGON SOCKET HEAD	2
12	4WM-12293-00-00	CONNECTOR, DECOMPRESSION	1
13	4WM-12282-00-00	LEVER, DECOMPRESSION	1
14	90110-04001-00	BOLT, HEXAGON SOCKET HEAD	2
15	90201-08086-00	WASHER, PLATE	1
16	4WM-12298-00-00	ROD, DECOMPRESSION	1
17	4WM-12294-00-00	PIPE, DECOMPRESSION	1
18	93210-40745-00	O-RING	2
19	93210-472A9-00	O-RING	2
20	5PX-12155-00-00	GUIDE, PUSH ROD	2
21	5PX-12215-00-00	CAP, TENSIONER CASE	2
22	5PX-12147-00-00	HOUSING	1
23	5PX-12148-00-00	HOUSING	1
24	93210-54175-00	O-RING	2
25	93210-54452-00	O-RING	2
26	93210-48364-00	O-RING	2
27	90110-08022-00	BOLT, HEXAGON SOCKET HEAD	4

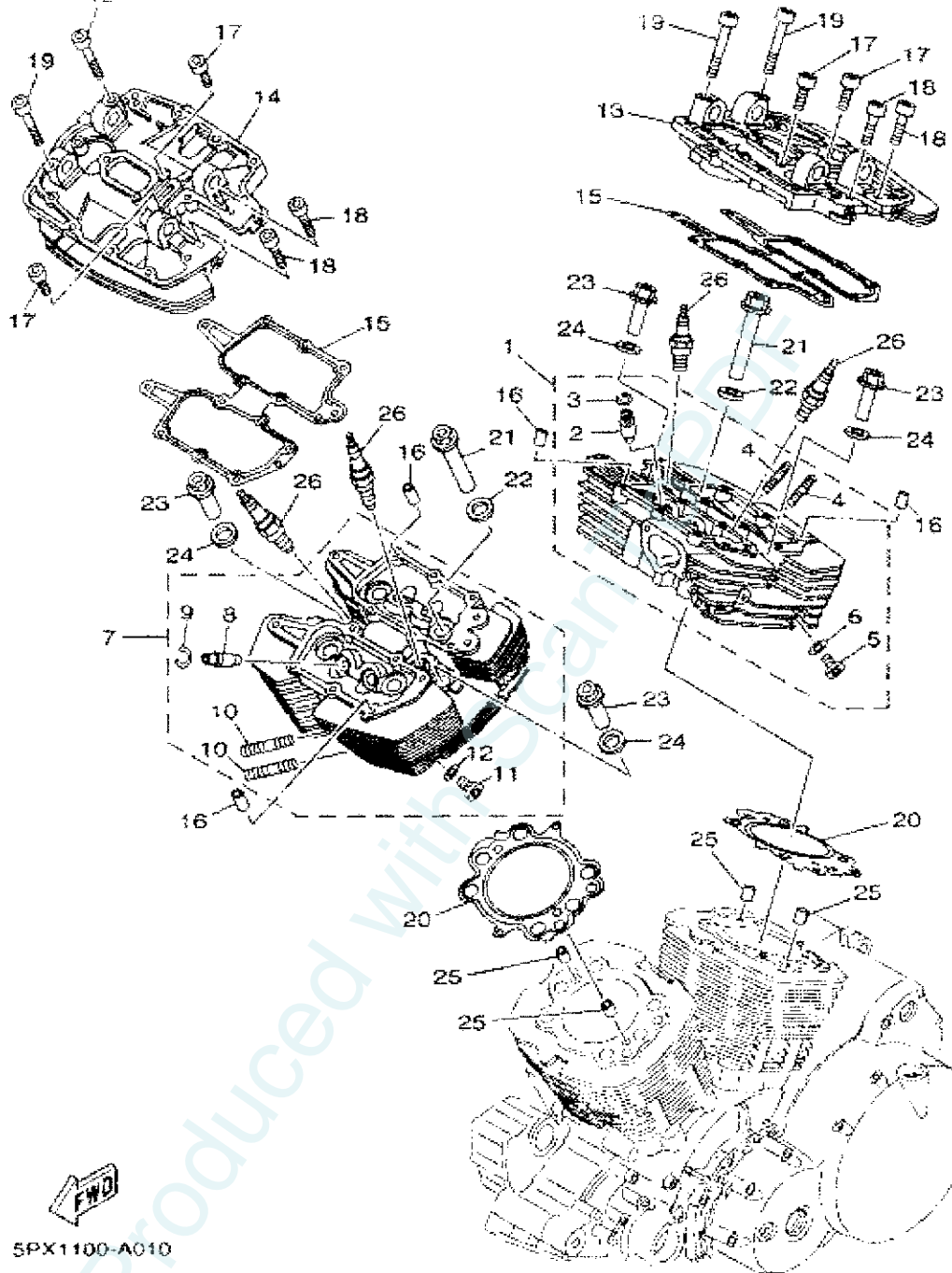


5PX1100-A100

(c) 2005-2009 Yamaha Motor Corporation, U.S.A.

Item	Part #	Description	Notes	Req
1	5PX-14803-00-00	AIR INDUCTION SYSTEM ASSY		1
2	97007-05012-00	BOLT		4
3	92907-05600-00	WASHER, PLATE		4
4	5PX-13542-01-00	HOSE, VACUUM SENSING 1		1
5	90467-07093-00	CLIP		2

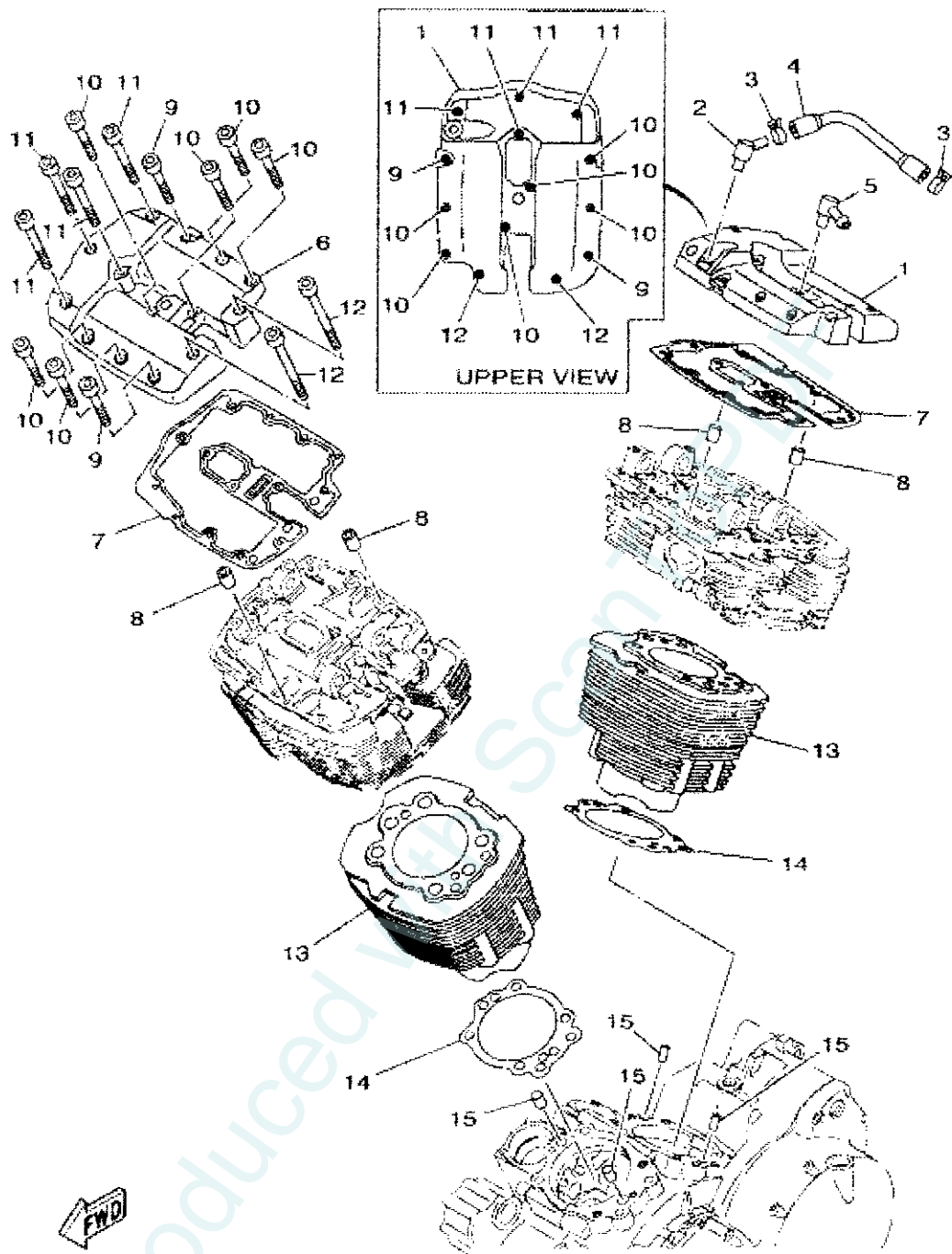
6	5PX-14834-00-00	STAY	1
7	5PX-14881-00-00	HOSE, BEND 1	1
8	90467-18196-00	CLIP	2
9	5PX-14873-01-00	PIPE 3	1
10	90464-30040-00	CLAMP	1
11	5PX-14877-00-00	RESONATOR	1
12	90467-18196-00	CLIP	1
13	5PX-1443E-10-00	PIPE, DRAIN	1
14	90467-09103-00	CLIP	2
15	90338-06134-00	PLUG	1
16	90464-23041-00	CLAMP	1
17	90462-08246-00	CLAMP	1
18	97707-60520-00	SCREW, TAPPING	2
19	5PX-14882-00-00	HOSE, BEND 2	1
20	90468-08104-00	CLIP	2
21	5PX-14883-00-00	HOSE, BEND 3	1
22	90468-08104-00	CLIP	2
23	5PX-14871-00-00	PIPE 1	1
24	5PX-14815-00-00	GASKET	1
25	91314-06012-00	BOLT	2
26	5PX-14872-00-00	PIPE 2	1
27	5PX-14815-00-00	GASKET	1
28	91314-06012-00	BOLT	2
29	5PX-14867-00-00	BRACKET	1
30	91317-08020-00	BOLT	1
31	95027-06012-00	BOLT, FLANGE	2
32	90480-01558-00	GROMMET	1



(c) 2005-2009 Yamaha Motor Corporation, U.S.A.

Item	Part #	Description	Notes	Req
1	5PX-11101-00-00	CYLINDER HEAD ASSY 1		1
2	4WM-11133-10-00	GUIDE, VALVE 1		4
3	93440-12052-00	CIRCLIP		4
4	95617-08625-00	BOLT, STUD		2
5	90340-12112-00	PLUG, STRAIGHT SCREW		1

6	90201-12790-00	WASHER, PLATE		1
7	5PX-11101-10-00	CYLINDER HEAD ASSY 2		1
8	4WM-11133-10-00	GUIDE VALVE 1		4
9	93440-12052-00	COLLAR		4
10	95617-08625-00	BOLT, STUD		2
11	90340-12112-00	FLANGE, STRENGTH SCREW		1
12	90201-12790-00	WASHER, PLATE		1
13	5PX-11131-00-00	HEAD, CYLINDER 3		1
14	5PX-11141-00-00	HEAD, CYLINDER 4		1
15	5PX-11182-00-00	GASKET, CYLINDER HEAD 2		2
16	91806-16023-00	PIN, DOWEL		4
17	91317-08030-00	BOLT		4
18	91314-08040-00	BOLT		4
19	91317-08070-00	BOLT		4
20	5PX-11181-00-00	GASKET, CYLINDER HEAD 1		2
21	5PX-11171-00-00	NUT, HOLDING		8
22	4WM-11175-00-00	WASHER, HOLDING 1		8
23	4WM-11172-00-00	NUT, HOLDING		4
24	4WM-11176-00-00	WASHER, HOLDING		4
25	90387-062T5-00	COLLAR		4
26	NGK-DPR7E-A9-00	PLUG, SPARK (NGK DPR7EA)	UR	4

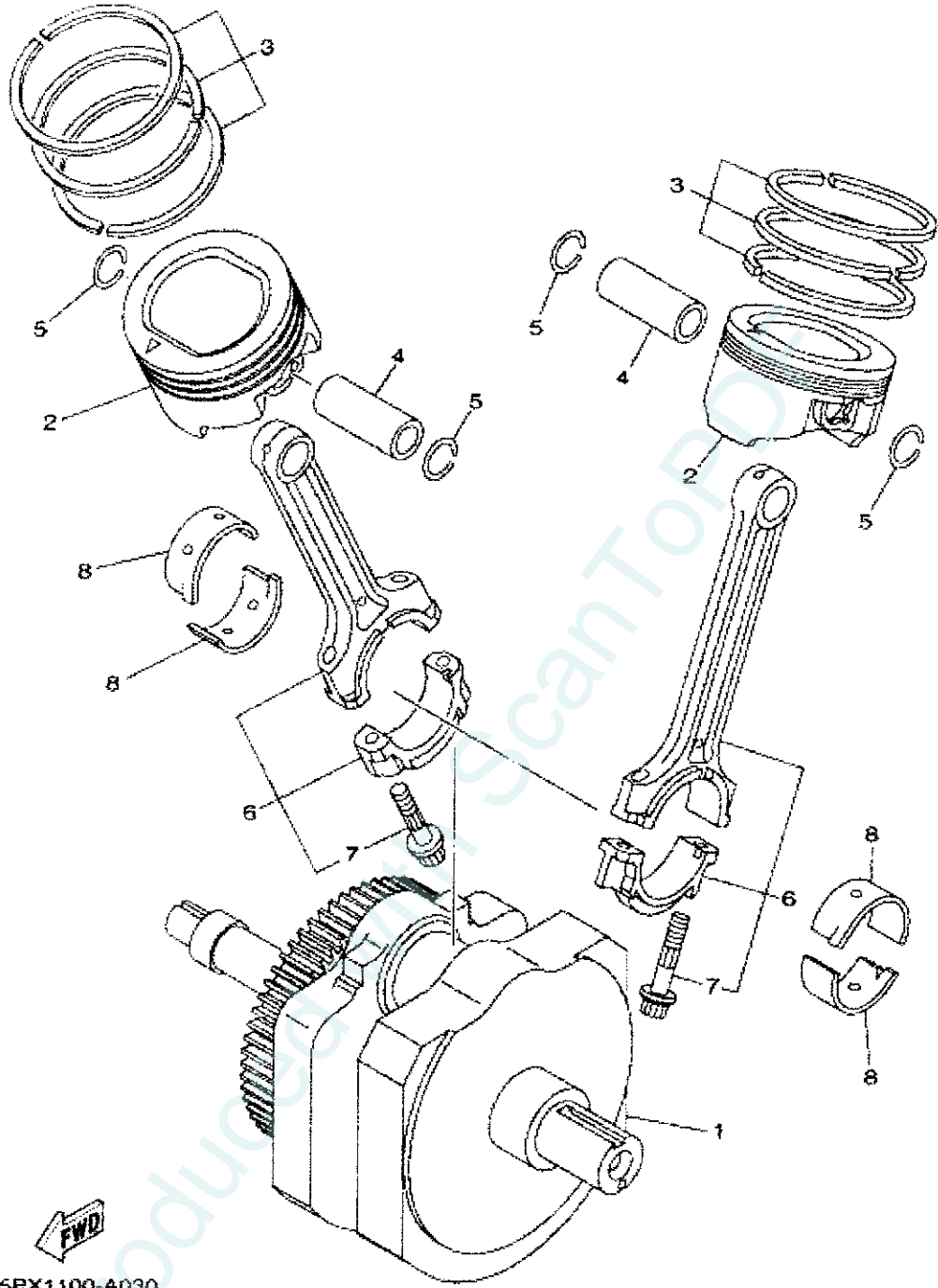


5PX4100-B020

(c) 2005-2009 Yamaha Motor Corporation, U.S.A.

Item	Part #	Description	Notes	Req
1	5PX-11191-00-00	COVER, CYLINDER HEAD 1		1
2	5PX-11167-00-00	PIPE, BREATHER 2		1
3	90467-15001-00	CLIP		2
4	5PX-11166-00-00	PIPE, BREATHER 1		1
5	4WM-11126-00-00	PIPE, BREATHER 3		1

6	5PX-11192-00-00	COVER, CYLINDER HEAD 2	1
7	5PX-11193-00-00	GASKET, HEAD COVER 1	2
8	91808-16023-00	PIN, DOWEL	4
9	91314-06060-00	BOLT	4
10	91314-06050-00	BOLT	12
11	91314-06040-00	BOLT	8
12	90110-06023-00	BOLT, HEXAGON SOCKET HEAD	4
13	6PX-11311-00-00	CYLINDER 1	2
14	4WM-11351-00-00	GASKET, CYLINDER	2
15	90387-087A5-00	COLLAR	4

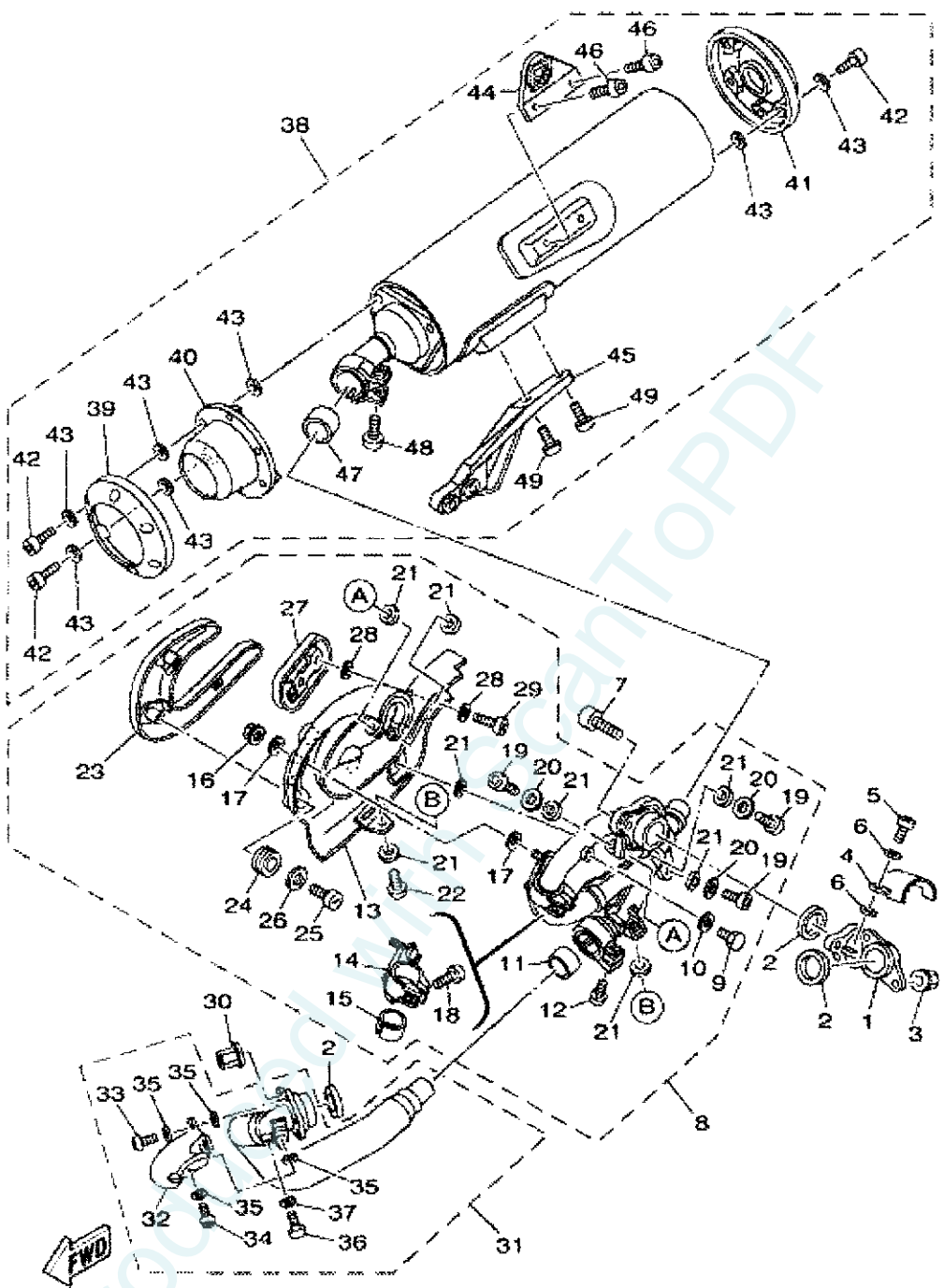


5PX1100-A030

(c) 2006-2009 Yamaha Motor Corporation, U.S.A.

Item	Part #	Description	Notes	Req
1	4VM-11400-02-00	CRANKSHAFT ASSY		1
2	5PX-11631-00-00	PISTON (STD)		2
3	5PX-11610-00-00	PISTON RING SET (STD)		2
4	4VM-11633-00-00	PIN, PISTON		2
5	93450-24028-00	CIRCLIP		4

8	5PX-11650-00-00	CONNECTING ROD ASSY		2
7	5PX-11654-00-00	BOLT, CONNECTING ROD		2
8	4WM-11656-00-00	PLANE BEARING, CONNECTING ROD	UR BLUE	4
	4WM-11656-10-00	PLANE BEARING, CONNECTING ROD	UR BLACK	4
	4WM-11656-20-00	PLANE BEARING, CONNECTING ROD	UR BROWN	4
	4WM-11656-30-00	PLANE BEARING, CONNECTING ROD	UR GREEN	4
	4WM-11656-40-00	PLANE BEARING, CONNECTING ROD	UR YELLOW	4

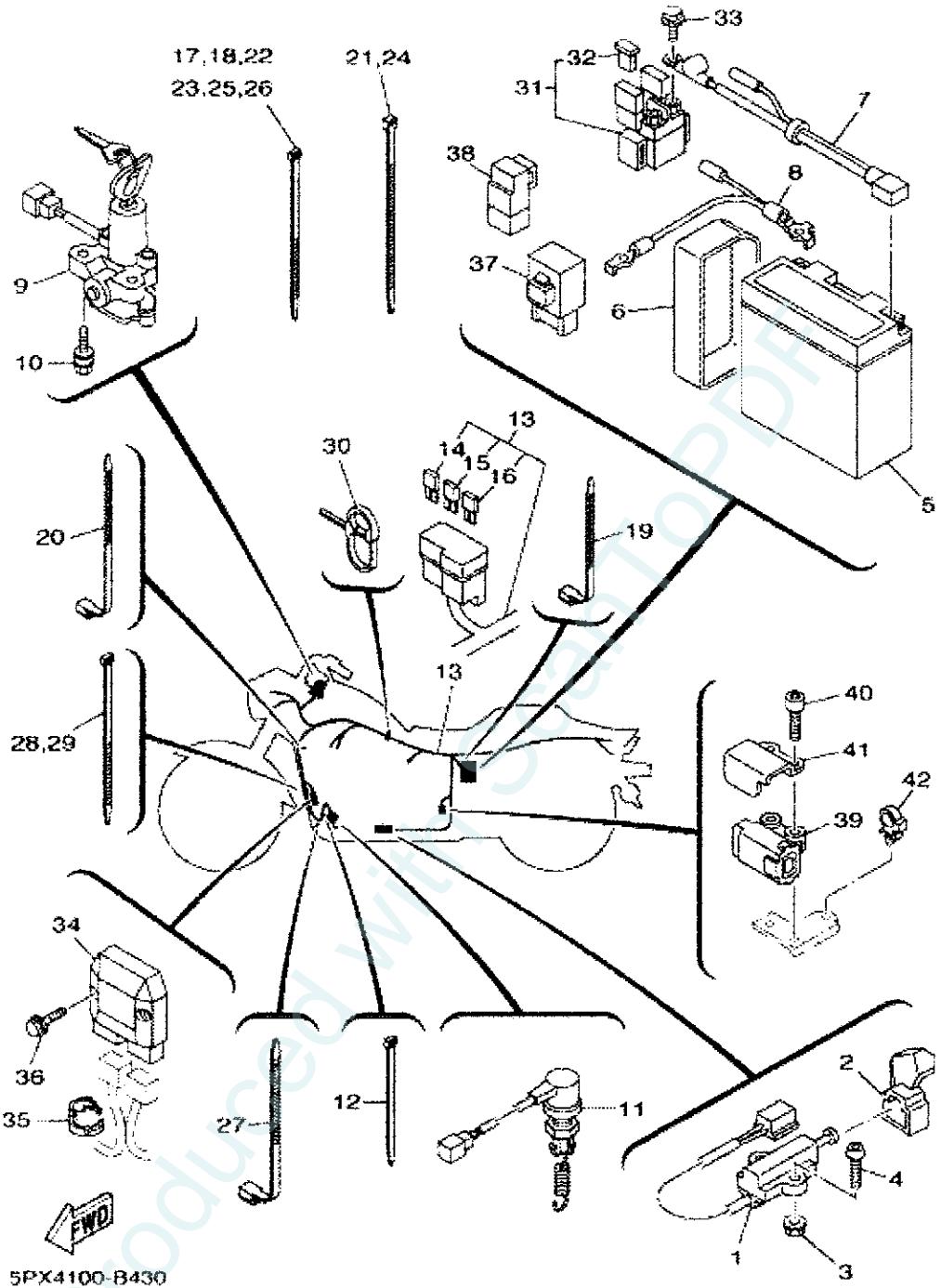


5PX1100-A110

(c) 2005-2009 Yamaha Motor Corporation, U.S.A.

Item	Part #	Description	Notes	Req
1	5PX-14615-00-00	JOINT, EXHAUST 1		1
2	3EG-14613-00-00	GASKET, EXHAUST PIPE		3
3	90185-08097-00	NUT, SELF-LOCKING		2
4	5PX-14628-00-00	PROTECTOR, EXHAUST PIPE		1
5	98980-06012-00	SCREW, BIND		2

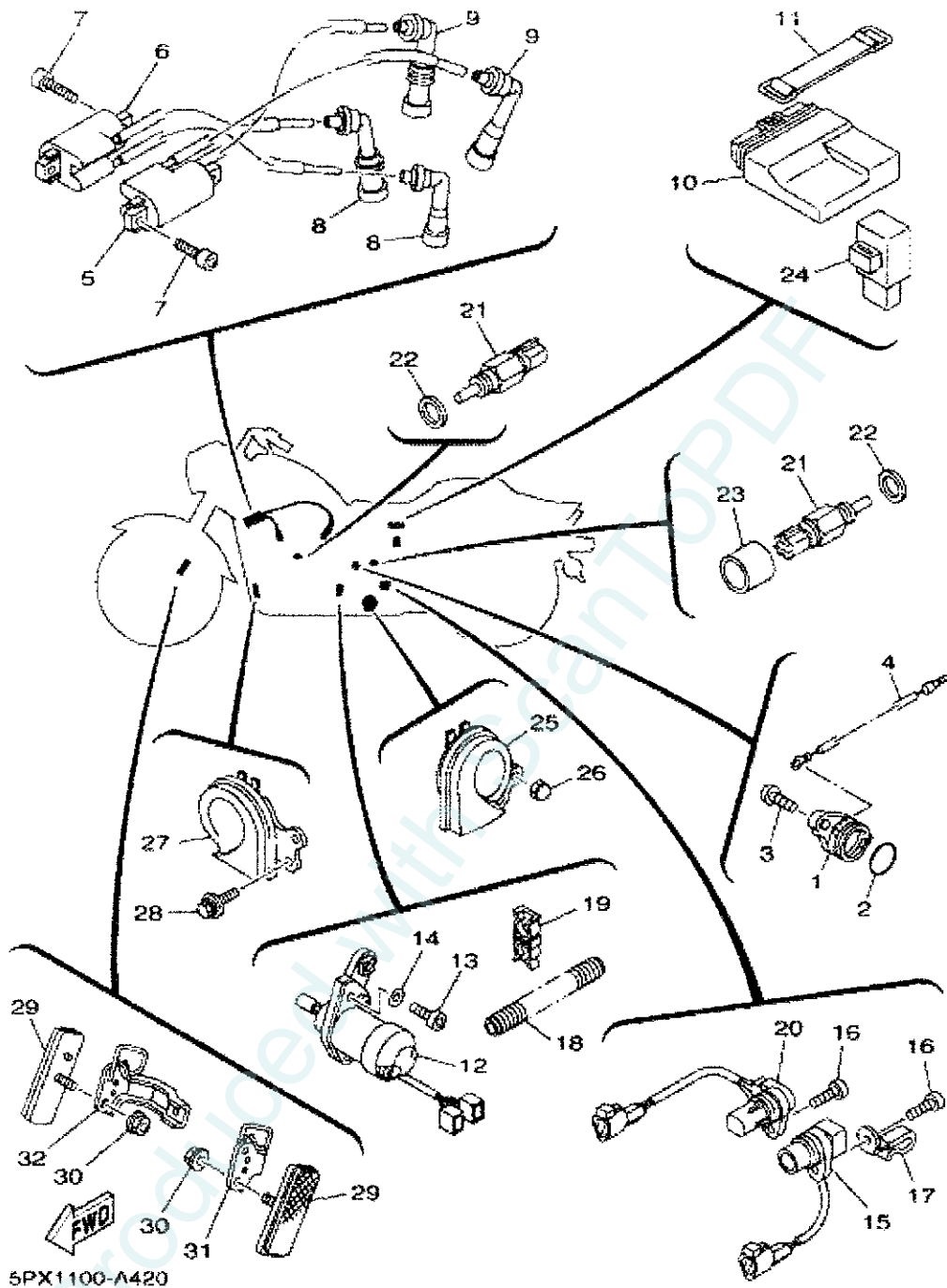
6	90201-05015-00	WASHER, PLATE	4
7	90110-08027-00	BOLT, HEXAGON SOCKET HEAD	2
8	5PX-14610-01-00	EXHAUST PIPE ASSY 1	1
9	97080-06008-00	BOLT	1
10	92990-06600-00	WASHER, PLATE	1
11	5PX-14755-00-00	GASKET, SILENCER	1
12	92014-08025-00	BOLT, BUTTON HEAD	1
13	5PX-14718-00-00	PROTECTOR, MUFFLER 1	1
14	5PX-14715-00-00	BAND, MUFFLER	1
15	5PX-14714-00-00	GASKET, MUFFLER	1
16	95704-06500-00	NUT, FLANGE	2
17	90201-05015-00	WASHER, PLATE	4
18	92014-08020-00	BOLT, BUTTON HEAD	1
19	91314-06016-00	BOLT	4
20	92990-06200-00	WASHER, PLAIN	4
21	90201-05015-00	WASHER, PLATE	10
22	98904-06012-00	SCREW, BIND	1
23	5PX-14738-01-00	PROTECTOR, MUFFLER 3	1
24	90480-17001-00	GROMMET	3
25	98904-06012-00	SCREW, BIND	3
26	90201-064K6-00	WASHER, PLATE	3
27	5PX-14728-00-00	PROTECTOR, MUFFLER 2	1
28	90201-05015-00	WASHER, PLATE	4
29	98904-06012-00	SCREW, BIND	2
30	90179-08410-00	NUT	2
31	5PX-14620-00-00	EXHAUST PIPE ASSY 2	1
32	5PX-14624-00-00	COVER, EXHAUST	1
33	90111-06020-00	BOLT	2
34	90111-06031-00	BOLT	1
35	90201-05015-00	WASHER, PLATE	6
36	97080-06008-00	BOLT	1
37	92990-06600-00	WASHER, PLATE	1
38	5PX-14710-00-00	MUFFLER ASSY 1	1
39	5PX-14798-00-00	CAP, SILENCER 2	1
40	5PX-1479H-00-00	COVER, 1	1
41	5PX-14799-00-00	CAP	1
42	91380-06014-00	BOLT	12
43	4BD-14766-00-00	WASHER, PROTECTOR	27
44	5PX-14771-00-00	STAY, MUFFLER 1	1
45	5PX-14772-00-00	STAY, MUFFLER 2	1
46	92014-08012-00	BOLT, BUTTON HEAD	2
47	4WM-14755-00-00	GASKET, SILENCER	1
48	92014-08045-00	BOLT, BUTTON HEAD	1
49	90110-08096-00	BOLT, HEXAGON SOCKET HEAD	2



(c) 2005-2009 Yamaha Motor Corporation, U.S.A.

Item	Part #	Description	Notes	Req
1	5PX-82566-C0-00	SWITCH, SIDE STAND		1
2	5PX-8252U-00-00	COVER		1
3	95607-05200-00	NUT, U FLANGE		2
4	92017-05025-00	BOLT, BUTTON HEAD		2
5	5EA-82100-11-00	BATTERY ASSY (GS GT14B-4)		1

6	4AS-82131-00-00	BAND, BATTERY	1
7	5PX-82115-00-00	WIRE, PLUS LEAD	1
8	5PX-82116-00-00	WIRE, MINUS LEAD	1
9	5PX-82501-10-00	MAIN SWTCH STEERING LOCK	1
10	90109-080G5-00	BOLT	2
11	5PX-82530-00-00	STOP SWITCH ASSY	1
12	90464-16061-00	CLAMP	1
13	5PX-82590-10-00	WIRE HARNESS ASSY	1
14	5JJ-82151-00-00	FUSE (7.5A-BL)	2
15	5JJ-82151-30-00	FUSE (10A-BL)	4
16	5JJ-82151-10-00	FUSE (15A-BL)	4
17	1UA-82591-00-00	BAND	1
18	1UA-82591-00-00	BAND	1
19	90464-13077-00	CLAMP	1
20	90464-13073-00	CLAMP	1
21	3MA-82591-00-00	BAND	4
22	1UA-82591-00-00	BAND	1
23	1UA-82591-00-00	BAND	1
24	3MA-82591-00-00	BAND	1
25	1UA-82591-00-00	BAND	2
26	1UA-82591-00-00	BAND	3
27	90464-15195-00	CLAMP	1
28	1UA-82591-00-00	BAND	1
29	1UA-82591-00-00	BAND	2
30	90464-28001-00	CLAMP	1
31	4YR-81940-00-00	STARTER RELAY ASSY	1
32	1AE-82151-00-00	FUSE (30A-BL)	2
33	95027-06008-00	BOLT, FLANGE	2
34	5JW-81960-00-00	RECTIFIER & REGULATOR ASSY	1
35	90464-16003-00	CLAMP	1
36	90105-06009-00	BOLT, FLANGE	2
37	5PX-81950-00-00	RELAY ASSY	1
38	5JJ-81950-20-00	RELAY ASSY	1
39	5PS-82576-01-00	EMERGENCY STOP SWITCH ASSY	1
40	91317-04025-00	BOLT	2
41	5PX-82388-00-00	PLATE	1
42	90464-16006-00	CLAMP	1



(c) 2005-2009 Yamaha Motor Corporation, U.S.A.

Item	Part #	Description	Notes	Req
1	1AE-82540-00-00	NEUTRAL SWITCH ASSY		1
2	93210-29196-00	O-RING		1
3	90149-06018-00	SCREW		2
4	5PX-82509-00-00	WIRE, SUB LEAD		1
5	5PX-82310-00-00	IGNITION COIL ASSY		1

6	5PX-82310-10-00	IGNITION COIL ASSY	1
7	91380-06025-00	BOLT	4
8	4TR-82370-00-00	PLUG CAP ASSY	2
9	4NK-82370-00-00	PLUG CAP ASSY	2
10	5PX-8591A-01-00	ENGINE CONTROL UNIT ASSY	1
11	7H3-82131-00-00	BAND, BATTERY	1
12	5PX-86110-00-00	SOLENOID	1
13	90110-06061-00	BOLT, HEXAGON SOCKET HEAD	2
14	90214-06002-00	WASHER, CLAW	2
15	5PX-83755-10-00	SENSOR, SPEED	1
16	91314-06014-00	BOLT	2
17	90465-08127-00	CLAMP	1
18	4WM-81842-00-00	COVER	1
19	90464-18266-00	CLAMP	1
20	5PX-85896-00-00	SENSOR, CAM POSITION	1
21	5PX-83591-00-00	THERMO UNIT	2
22	90201-12172-00	WASHER, PLATE	2
23	5PX-1319W-00-00	CAP, OUT	1
24	5PX-83350-00-00	FLASHER RELAY ASSY	1
25	4WM-83371-00-00	HORN	1
26	90176-06041-00	NUT, CROWN	2
27	5PX-83371-00-00	HORN	1
28	90119-06001-00	BOLT, WITH WASHER	2
29	11H-85110-01-00	REFLECTOR ASSY	2
30	95607-05200-00	NUT, U FLANGE	2
31	5PX-85112-00-00	BRACKET, REFLECTOR 1	1
32	5PX-85122-00-00	BRACKET, REFLECTOR 2	1