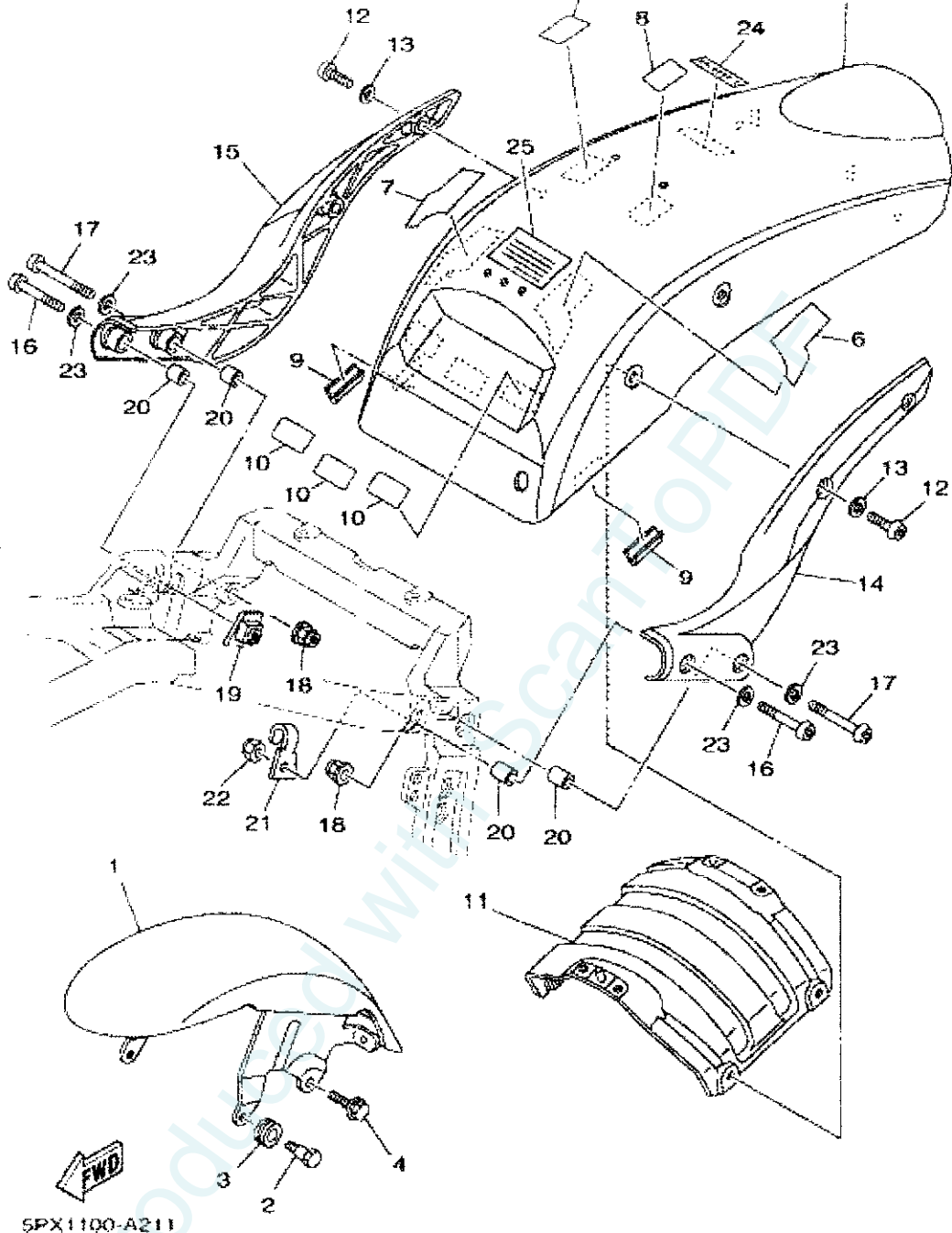


(c) 2005-2009 Yamaha Motor Corporation, U.S.A.

Item	Part #	Description	Notes	Req
1	5PX-83310-00-00	FRONT FLASHER LIGHT ASSY 1		1
2	137-84714-61-00	BULB (12V-23/8W)		1
3	5PX-83312-00-00	LENS, FLASHER		1
4	5PX-83313-00-00	GASKET, FLASHER LENS		1
5	5PX-83358-00-00	SCREW, SPECIAL		2

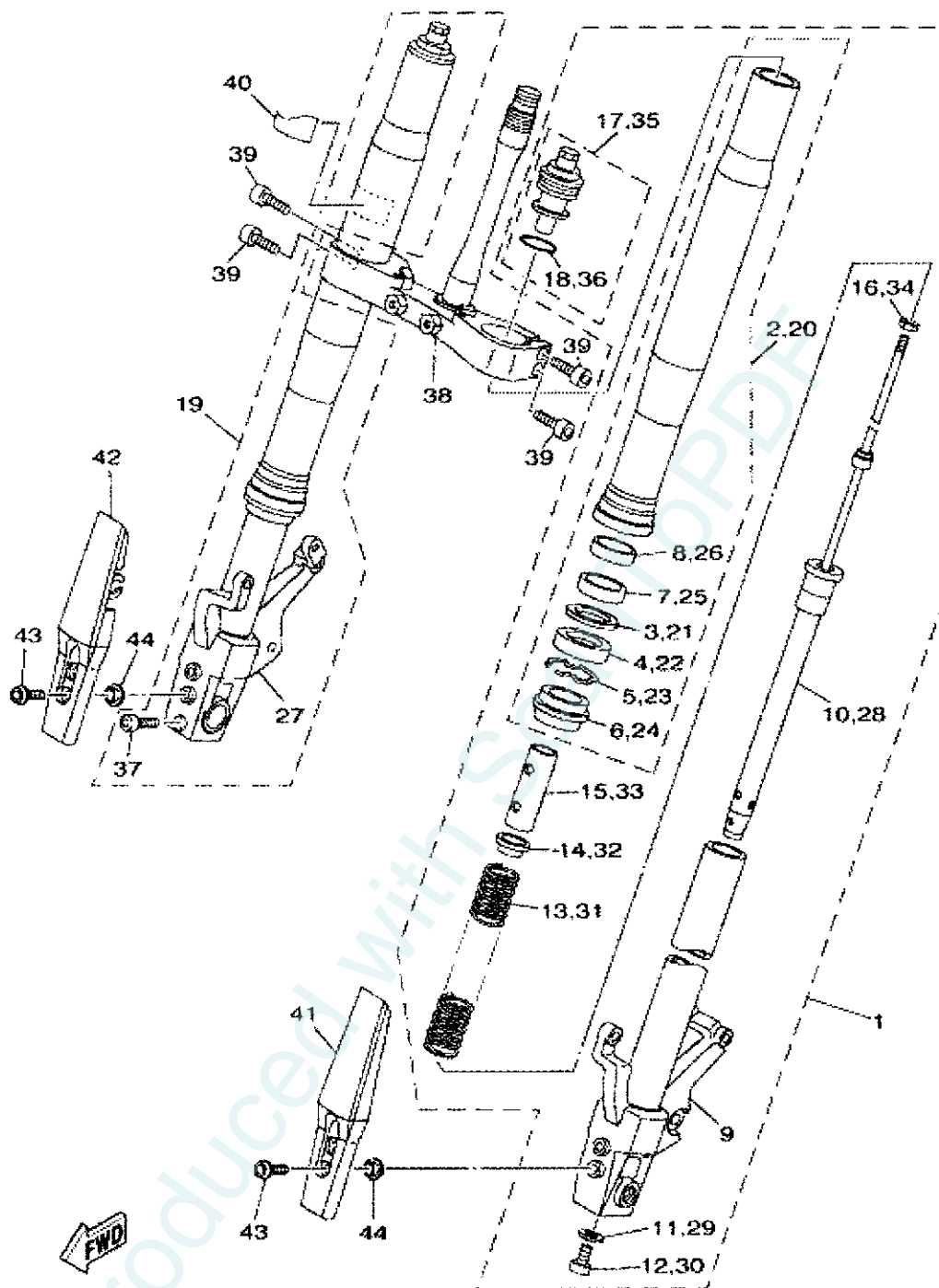
8	5PX-83348-00-00	WASHER	2
7	5PX-83320-00-00	FRONT FLASHER LIGHT ASSY 2	1
6	137-84714-61-00	BULB (12V-23/8W)	1
9	5PX-83312-00-00	LENS, FLASHER	1
10	5PX-83313-00-00	GASKET, FLASHER LENS	1
11	5PX-83358-00-00	SCREW, SPECIAL	2
12	5PX-83348-00-00	WASHER	2
13	90176-06055-00	NUT, CROWN	2
14	90387-063Y3-00	COLLAR	2
15	90201-06045-00	WASHER, PLATE	2
16	95807-06025-00	BOLT, FLANGE	2
17	95027-06016-00	BOLT, FLANGE	2
18	90560-06244-00	SPACER	2



(c) 2005-2009 Yamaha Motor Corporation, U.S.A.

Item	Part #	Description	Notes	Req
1	5PX-YK215-01-P1	FRONT FENDER COMP.	Use for Color DARK GRAY METALLIC A (DNMA / 0821)	1
	5PX-YK215-01-P3	FRONT FENDER COMP.	Use for Color SILVER 3 (S3 / 0791)	1
2	90109-08020-00	BOLT		2
3	90480-15397-00	GROMMET		2
4	95027-08012-00	BOLT, FLANGE		2

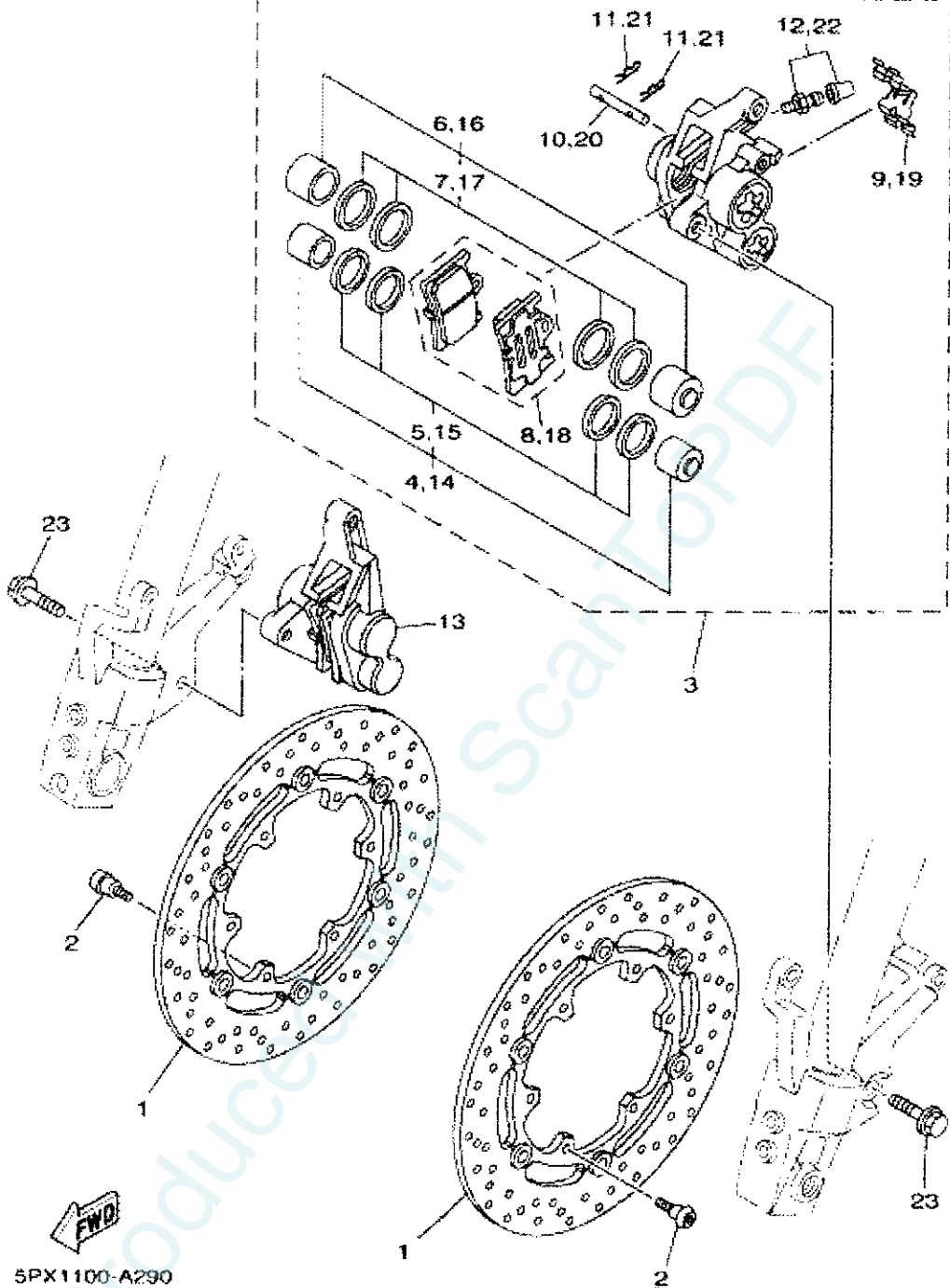
5	5PX-YK216-00-P1	REAR FENDER COMP.	Use for Color DARK GRAY METALLIC A (DNMA / 0821)	1
	5PX-YK216-00-P3	REAR FENDER COMP.	Use for Color SILVER 3 (S3 / 0791)	1
6	5PX-2173M-00-00	SEAL 3		1
7	5PX-2173N-00-00	SEAL 4		1
8	5PX-21669-00-00	SEAL		2
9	3VD-24188-00-00	MOLD, FUEL TANK		2
10	5PX-21669-00-00	SEAL		3
11	5PX-21643-00-00	STAY, REAR		1
12	92014-08025-00	BOLT, BUTTON HEAD		4
13	92990-08200-00	WASHER, PLAIN		4
14	5PX-21613-00-P0	STAY, FENDER 1	Use for Color MAT BLACK 2 (MBL2 / 0582)	1
15	5PX-21614-00-P0	STAY, FENDER 2	Use for Color MAT BLACK 2 (MBL2 / 0582)	1
16	92014-10060-00	BOLT, BUTTON HEAD		2
17	90111-10005-00	BOLT		2
18	95607-10200-00	NUT, U FLANGE		2
19	5PX-21295-00-00	NUT		1
20	99530-14016-00	PIN, DOWEL		4
21	5PX-21398-00-00	HANGER, HELMET		1
22	90185-10060-00	NUT, SELF-LOCKING		1
23	90201-10M63-00	WASHER, PLATE		4
24	99247-00080-00	EMBLEM, YAMAHA		1
25	5PX-2179V-10-00	PLATE, EPA 1 (NON CALIFORNIA)		1
	5PX-2179R-10-00	PLATE, EPA 2 (CALIFORNIA)		1



(c) 2005-2009 Yamaha Motor Corporation, U.S.A.

Item	Part #	Description	Notes	Req
1	5PX-23102-03-00	FRONT FORK ASSY (L.H)		1
2	5PX-23136-01-00	TUBE, OUTER (RIGHT)		1
3	36Y-23146-10-00	WASHER, OIL SEAL		1
4	4EB-23145-01-00	OIL SEAL		1
5	26H-23156-00-00	CLIP, OIL SEAL		1

6	4EB-23144-00-00	SEAL, DUST	1	
7	5PX-23125-00-00	METAL, SLIDE 1	1	
8	4XV-23135-00-00	METAL, SLIDE 2	1	
9	5PX-23110-00-00	INNER TUBE COMP. 1	1	
10	5PX-23170-02-00	CYLINDER COMP., FRONT FORK	1	
11	2K8-23158-L0-00	GASKET	1	
12	3R4-23181-L0-00	BOLT, HEXAGON SOCKET HEAD	1	
13	5PX-23141-00-00	SPRING, FRONT FORK	1	
14	4XV-23142-00-00	SEAT, SPRING UPPER	1	
15	4XV-23118-00-00	SPACER	1	
16	3LC-23357-00-00	NUT	1	
17	5PX-23111-00-00	BOLT, CAP	1	
18	3XJ-23147-L0-00	O-RING	1	
19	5PX-23103-03-00	FRONT FORK ASSY (R.H)	1	
20	5PX-23136-01-00	TUBE, OUTER (RIGHT)	1	
21	36Y-23146-10-00	WASHER, OIL SEAL	1	
22	4EB-23145-01-00	OIL SEAL	1	
23	26H-23156-00-00	CLIP, OIL SEAL	1	
24	4EB-23144-00-00	SEAL, DUST	1	
25	5PX-23125-00-00	METAL, SLIDE 1	1	
26	4XV-23135-00-00	METAL, SLIDE 2	1	
27	5PX-23120-00-00	INNER TUBE COMP. 2	1	
28	5PX-23170-02-00	CYLINDER COMP., FRONT FORK	1	
29	2K8-23158-L0-00	GASKET	1	
30	3R4-23181-L0-00	BOLT, HEXAGON SOCKET HEAD	1	
31	5PX-23141-00-00	SPRING, FRONT FORK	1	
32	4XV-23142-00-00	SEAT, SPRING UPPER	1	
33	4XV-23118-00-00	SPACER	1	
34	3LC-23357-00-00	NUT	1	
35	5PX-23111-00-00	BOLT, CAP	1	
36	3XJ-23147-L0-00	O-RING	1	
37	91314-08040-00	BOLT	1	
38	5PX-23340-00-00	UNDER BRACKET COMP.	1	
39	91314-08030-00	BOLT	4	
40	5PX-23844-00-00	SEAL	1	
41	5PX-23123-00-7B	COVER, LOWER 1	BIB2	1
42	5PX-23133-00-7B	COVER, LOWER 2	BIB2	1
43	90149-06298-00	SCREW	4	
44	90387-06050-00	COLLAR	4	

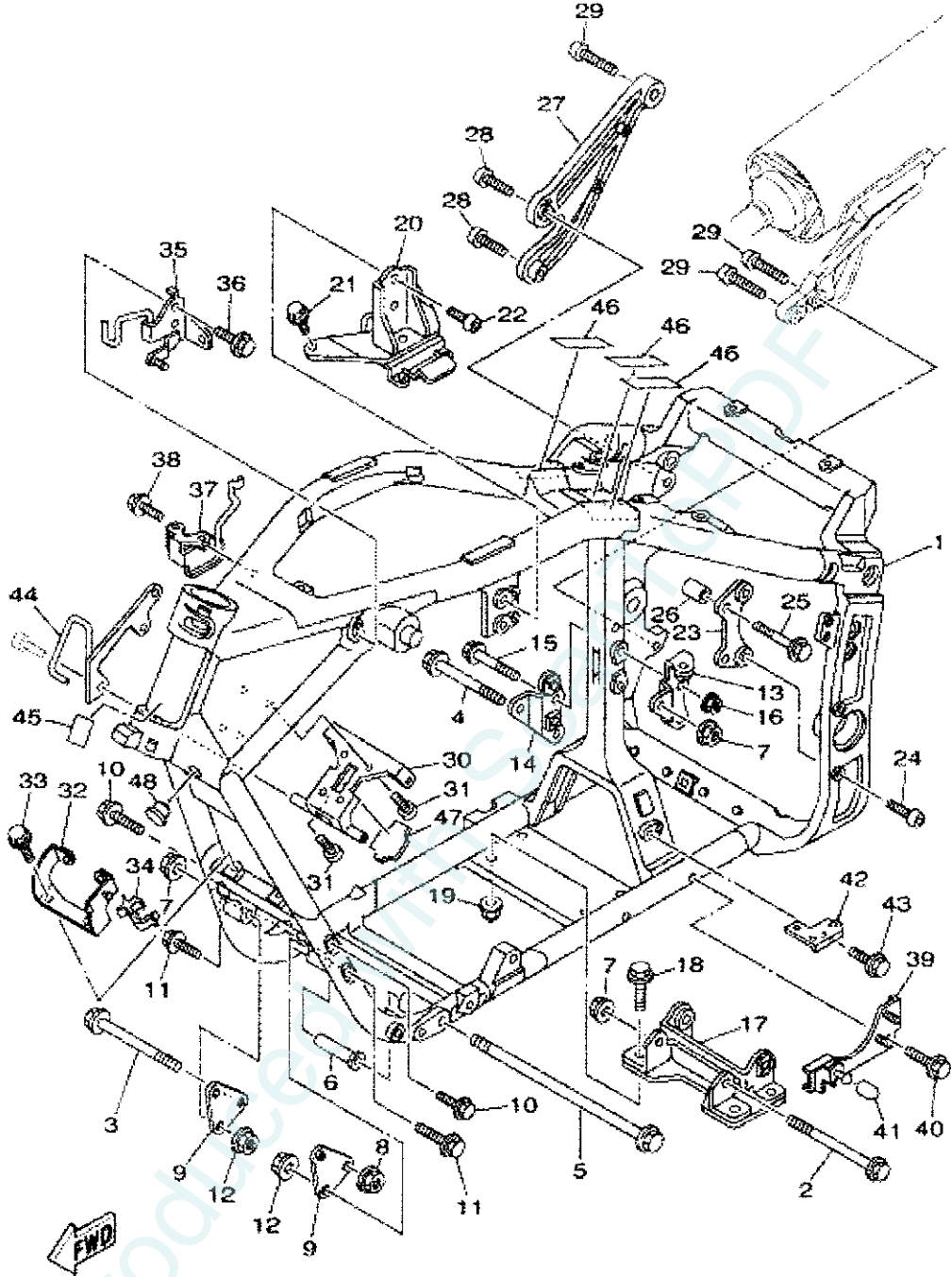


5PX1100-A290

(c) 2005-2009 Yamaha Motor Corporation, U.S.A.

Item	Part #	Description	Notes	Req
1	5PX-2581T-00-00	DISK BRAKE ASSY		2
2	90109-064G6-00	BOLT		12
3	5PX-2580T-00-00	CALIPER ASSY (LEFT)		1
4	4SV-W0057-00-00	PISTON ASSY, CALIPER		1
5	3MA-W0047-10-00	CALIPER SEAL KIT		1

6	4SV-W0057-10-00	PISTON ASSY, CALIPER	1
7	3GM-W0047-10-00	CALIPER SEAL KIT	1
8	5JJ-W0045-00-00	BRAKE PAD KIT	1
9	4SV-25919-00-00	SUPPORT, PAD	1
10	4SV-25924-00-00	PIN, PAD	1
11	3GM-25925-00-00	CLIP	2
12	51H-W0048-00-00	BLEED SCREW KIT	1
13	5PX-2580U-00-00	CALIPER ASSY (RIGHT)	1
14	4SV-W0057-00-00	PISTON ASSY, CALIPER	1
15	3MA-W0047-10-00	CALIPER SEAL KIT	1
16	4SV-W0057-10-00	PISTON ASSY, CALIPER	1
17	3GM-W0047-10-00	CALIPER SEAL KIT	1
18	5JJ-W0045-00-00	BRAKE PAD KIT	1
19	4SV-25919-00-00	SUPPORT, PAD	1
20	4SV-25924-00-00	PIN, PAD	1
21	3GM-25925-00-00	CLIP	2
22	51H-W0048-00-00	BLEED SCREW KIT	1
23	90105-105A7-00	BOLT, FLANGE	4

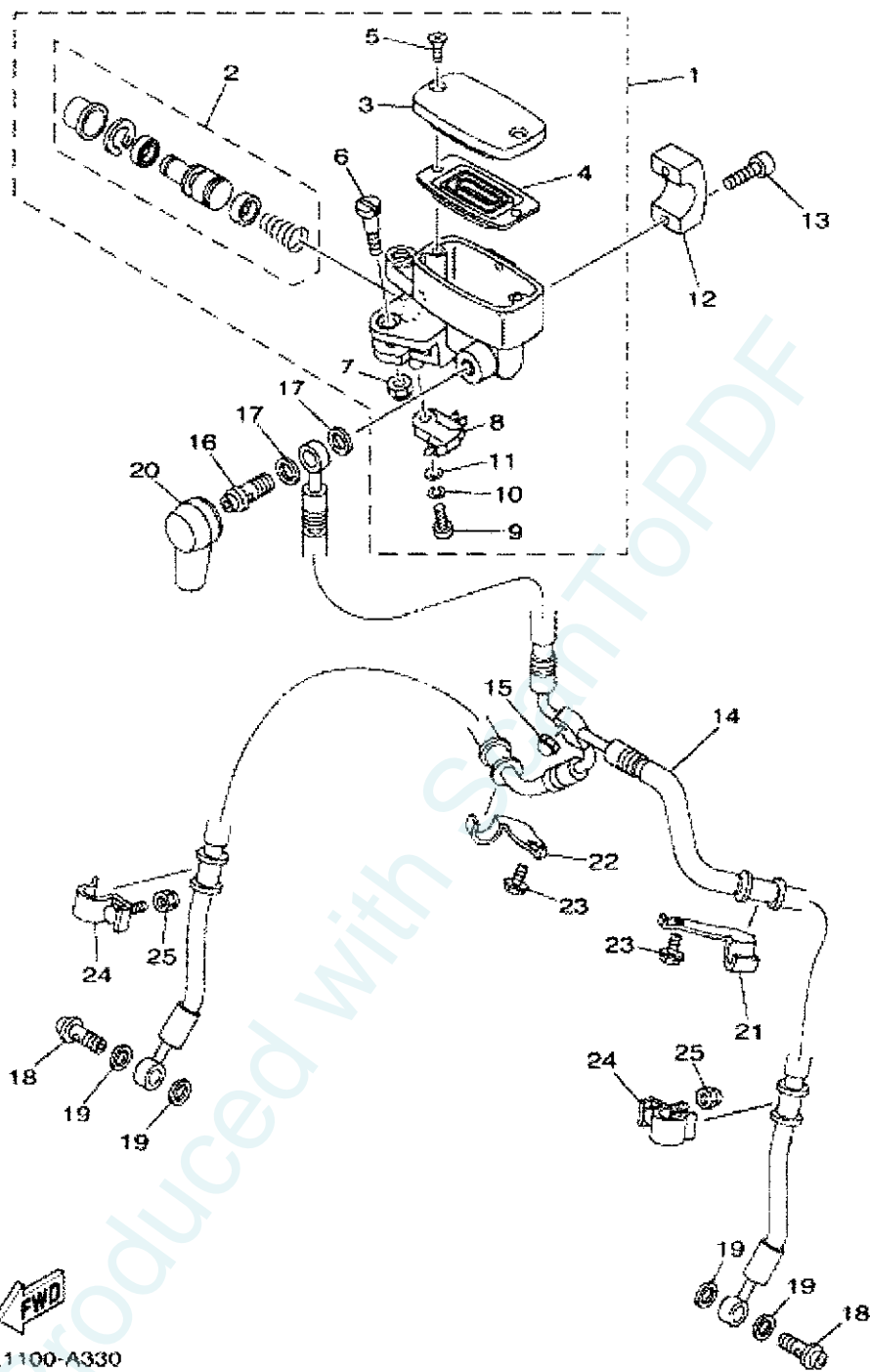


5PX1100-A200

(c) 2005-2009 Yamaha Motor Corporation, U.S.A.

Item	Part #	Description	Notes	Req
1	5PX-21110-00-00	FRAME COMP.		1
2	90105-12206-00	BOLT, FLANGE		1
3	90105-12016-00	BOLT, FLANGE		1
4	90105-12309-00	BOLT, FLANGE		1
5	90105-126A6-00	BOLT, FLANGE		1

6	5PX-21495-00-00	BOLT, ENGINE ADJUSTING	1
7	95807-12200-00	NUT, SELF-LOCKING	3
8	90185-12002-00	NUT, SELF-LOCKING	1
9	4WM-21314-00-00	STAY, ENGINE 5	2
10	90105-10049-00	BOLT, FLANGE	2
11	90105-10060-00	BOLT, FLANGE	2
12	90185-10008-00	NUT, SELF-LOCKING	4
13	5PX-21315-00-00	STAY, ENGINE 2	1
14	5PX-21316-00-00	STAY, ENGINE 3	1
15	90105-10170-00	BOLT, FLANGE	2
16	95807-10200-00	NUT, U FLANGE	2
17	5PX-21318-00-00	STAY, ENGINE 5	1
18	95817-10030-00	BOLT, FLANGE	4
19	95807-10200-00	NUT, U FLANGE	4
20	5PX-21317-00-00	STAY, ENGINE 3	1
21	95827-10025-00	BOLT, FLANGE	2
22	90111-10003-00	BOLT	2
23	5PX-2137F-00-00	STAY 1	1
24	90111-10009-00	BOLT	2
25	90105-10049-00	BOLT, FLANGE	2
26	90387-10013-00	COLLAR	2
27	5PX-21445-00-00	STAY, MUFFLER 1	1
28	90111-10006-00	BOLT	2
29	90157-10043-00	SCREW, PAN HEAD	3
30	5PX-21359-00-00	BRACKET, COIL	1
31	91317-06025-00	BOLT	4
32	5PX-2128A-00-00	BRACKET, REGULATOR	1
33	90105-06010-00	SCREW, COUNTERSUNK	2
34	90464-20191-00	CLAMP	1
35	5PX-21597-11-00	HOLDER, WIRE 1	1
36	90105-06010-00	SCREW, COUNTERSUNK	1
37	5PX-21598-00-00	HOLDER, WIRE 2	1
38	90105-06010-00	SCREW, COUNTERSUNK	1
39	5PX-21343-00-00	BRACKET, HORN	1
40	90105-060A0-00	BOLT, FLANGE	2
41	3VR-27114-00-00	STOPPER, MAIN STAND	1
42	5PX-21453-00-00	BRACKET, SWITCH	1
43	95027-06016-00	BOLT, FLANGE	1
44	5PX-21161-00-00	HOLDER, CABLE	1
45	5PX-21268-00-00	SEAL	1
46	5PX-21269-00-00	SEAL	3
47	5PX-21266-00-00	SHEET 1	1
48	90338-15110-00	PLUG	1

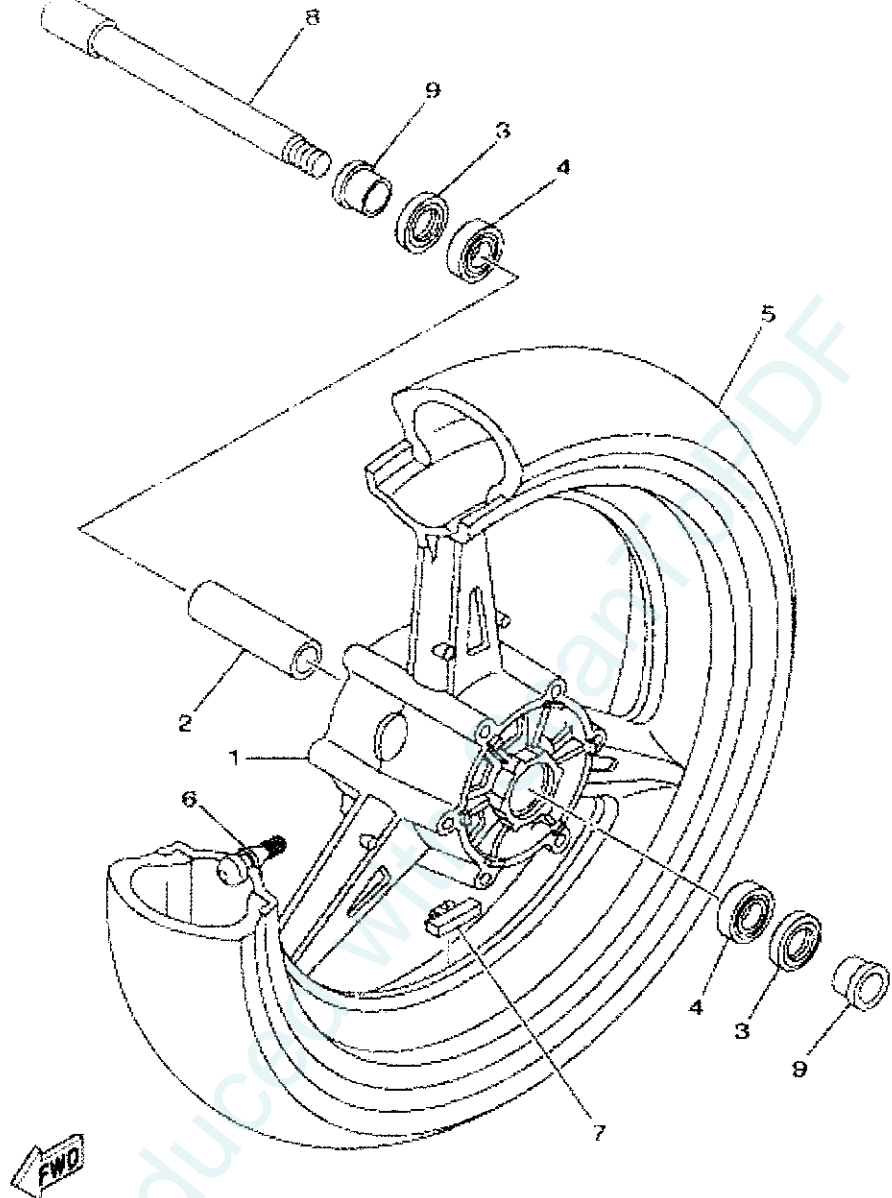


5PX1100-A330

(c) 2005-2009 Yamaha Motor Corporation, U.S.A.

Item	Part #	Description	Notes	Req
1	5PX-W2587-00-00	MASTER CYLINDER SUB ASSY		1
2	5PX-W0041-00-00	CYLINDER KIT, MASTER		1
3	4NK-W2585-01-00	RESERVOIR CAP SET		1
4	4NK-25854-00-00	DIAPHRAGM, RESERVOIR		1
5	4NK-2589H-00-00	SCREW		2

6	4NK-2589F-00-00	BOLT, LEVER	1
7	95604-06100-00	NUT, U	1
8	4HM-83980-00-00	FRONT STOP SWITCH ASSY	1
9	98502-04012-00	SCREW, PAN HEAD	1
10	92902-04100-00	WASHER, SPRING	1
11	92902-04600-00	WASHER, PLATE	1
12	4NK-25867-00-00	BRACKET, MASTER CYLINDER	1
13	91314-06025-00	BOLT	2
14	5PX-25872-00-00	HOSE, BRAKE 1	1
15	90176-06043-00	NUT, CROWN	1
16	90401-10172-00	BOLT, UNION	1
17	90201-10118-00	WASHER, PLATE	2
18	90401-10172-00	BOLT, UNION	2
19	90201-10118-00	WASHER, PLATE	4
20	4L0-25862-01-00	BOOT, MASTER CYLINDER	1
21	5PX-25886-00-00	HOLDER, BRAKE HOSE	1
22	5PX-25887-00-00	HOLDER, BRAKE HOSE	1
23	95807-06016-00	BOLT, FLANGE	2
24	5PX-25875-00-00	HOLDER, BRAKE HOSE 1	2
25	90176-06043-00	NUT, CROWN	2



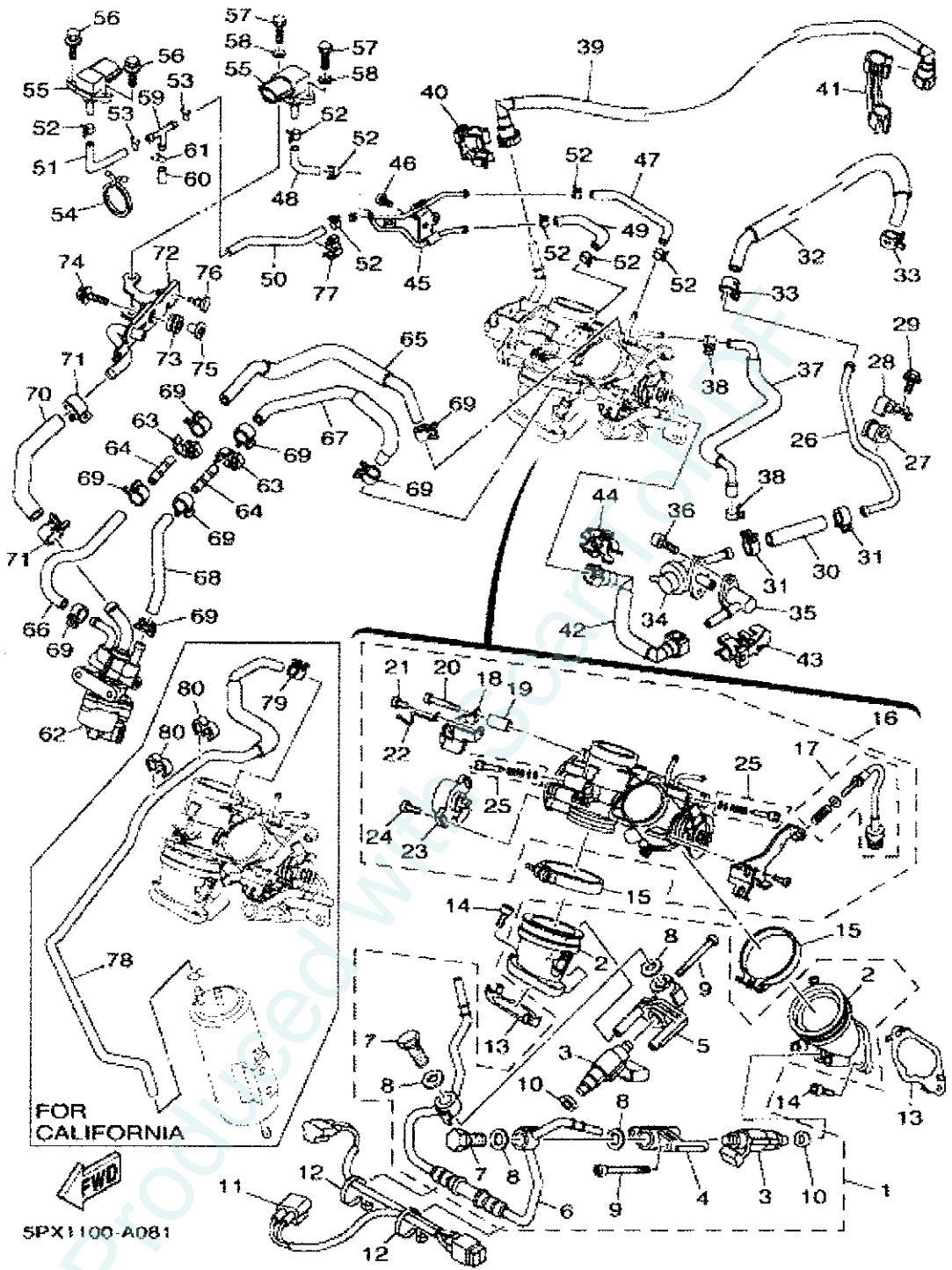
5PX4100-B280

(c) 2005-2009 Yamaha Motor Corporation, U.S.A.

Item	Part #	Description	Notes	Req
1	5PX-25168-00-7B	CAST WHEEL, FRONT	BIB2	1
2	4XV-25117-00-00	SPACER, BEARING		1
3	93106-28043-00	OIL SEAL		2
4	93306-00420-00	BEARING (B6004)		2
5	94112-18012-00	TIRE (120/70 ZR18M/C59W D220F)	UR DUNLOP	1

	94112-18025-00	TIRE (120/70 ZR18M/C58W BT020F) UR BRIDGESTONE		1
6	93900-00030-00	VALVE, RIM (TR412)		1
7	5MT-25398-00-00	BALANCER, WHEEL (10G)	UN	1
	5MT-25398-10-00	BALANCER, WHEEL (20G)	UN	1
	5MT-25398-20-00	BALANCER, WHEEL (30G)	UN	1
8	4XV-25181-00-00	AXLE, WHEEL		1
9	90387-2200T-00	COLLAR		2

6	90176-08063-00	NUT, CROWN	1
7	90206-14086-00	WASHER, WAVE	1
8	5PX-2741L-00-00	BRACKET 4	1
9	95607-08200-00	NUT, SELF-LOCKING	2
10	90506-20009-00	SPRING, TENSION	1
11	5PX-25867-00-00	BRACKET, MASTER CYLINDER	1
12	5PX-27491-00-00	PROTECTOR	1
13	92014-08020-00	BOLT, BUTTON HEAD	2
14	4NK-2583V-00-00	RR. MASTER CYLINDER ASSY.	1
15	1FK-W0042-50-00	CYLINDER KIT, MASTER	1
16	2VN-25866-00-00	CIRCLIP	1
17	93210-15620-00	O-RING	1
18	3LD-2582A-00-00	JOINT	1
19	95307-08700-00	NUT	1
20	5PX-27222-00-00	JOINT	1
21	91701-06018-00	PIN, CLEVIS	1
22	92907-06200-00	WASHER	1
23	91401-16012-00	PIN, COTTER	1
24	92014-08030-00	BOLT, BUTTON HEAD	2
25	5PX-25895-01-00	HOSE, RESERVOIR	1
26	5PX-21374-00-00	HOLDER, FUEL PIPE	1
27	95027-06010-00	BOLT, FLANGE	1
28	90464-12089-00	CLAMP	1
29	3XV-25876-00-00	HOLDER, BRAKE HOSE 2	2
30	5PX-2588F-00-00	HOLDER, BRAKE HOSE 5	1
31	95027-06016-00	BOLT, FLANGE	3
32	90467-14057-00	CLIP	1
33	90467-13071-00	CLIP	1
34	47X-25894-00-00	TANK, RESERVOIR	1
35	2KF-25852-50-00	CAP, RESERVOIR	1
36	360-25854-01-00	DIAPHRAGM, RESERVOIR	1
37	2GU-25855-00-00	BUSH, DIAPHRAGM	1
38	5PX-2582E-00-00	HOLDER, RESERVE TANK	1
39	92017-06035-00	BOLT, BUTTON HEAD	2
40	5PX-25888-00-00	COVER, RESERVER TANK	1
41	90111-06016-00	BOLT	1
42	90111-06007-00	BOLT	1
43	5PX-2581J-00-00	HOSE, BRAKE 4	1
44	90401-10159-00	BOLT, UNION	2
45	90201-10118-00	WASHER, PLATE	4

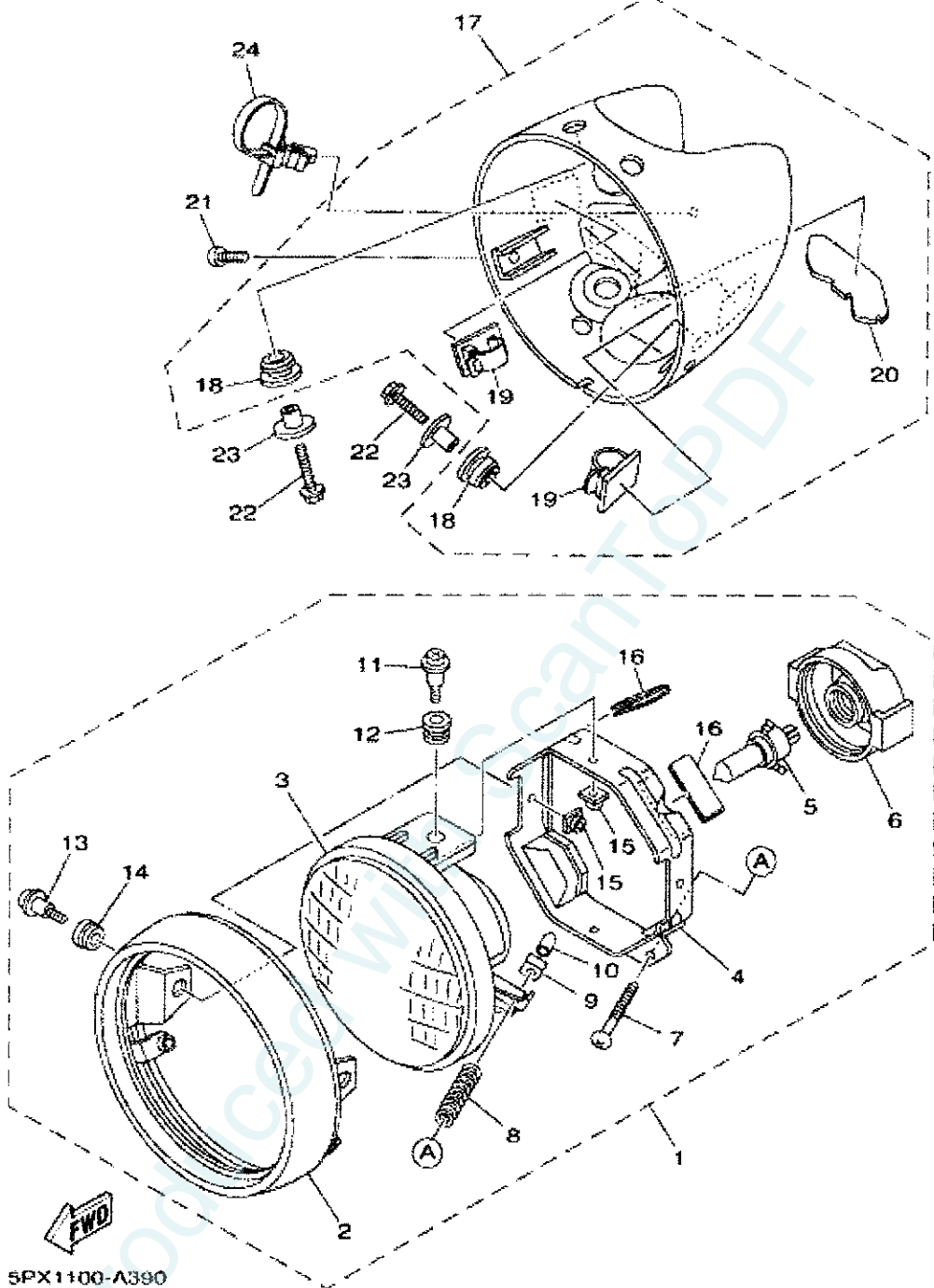


(c) 2005-2009 Yamaha Motor Corporation, U.S.A.

Item	Part #	Description	Notes	Req
1	5PX-13590-00-00	CARBURETOR JOINT ASSY		1
2	5PX-13586-00-00	JOINT, CARBURETOR 1		2
3	5FL-13761-00-00	INJECTOR ASSY		2
4	5PX-14188-00-00	CONNECTOR		1
5	5PX-14189-00-00	CONNECTOR		1

6	5PX-13938-00-00	PIPE	1
7	4BH-13573-00-00	BOLT 1	2
8	90430-12219-00	GASKET	4
9	98507-06050-00	SCREW, PAN HEAD	4
10	90430-09002-00	GASKET	2
11	5PX-82509-10-00	WIRE, SUB LEAD	1
12	90465-10098-00	CLAMP	2
13	5PX-14239-00-00	SEAL	2
14	91314-06020-00	BOLT	4
15	90450-57092-00	HOSE CLAMP ASSY	2
16	5PX-13750-00-00	THROTTLE BODY ASSY	1
	5PX-13750-10-00	THROTTLE BODY ASSY	1
17	5PX-14103-00-00	THROTTLE SCREW SET	1
18	5PX-14995-00-00	BRACKET	1
19	5PX-14149-00-00	PIPE	1
20	98507-05035-00	SCREW, PAN HEAD	1
21	98507-05012-00	SCREW, PAN HEAD	1
22	5PX-14137-00-00	CLIP	1
23	5PX-85885-00-00	THROTTLE SENSOR ASSY	1
24	4KM-24453-00-00	SCREW	2
25	5JW-14104-00-00	AIR SCREW SET	2
26	5PX-14295-01-00	PIPE, FUEL	1
27	5PX-14435-00-00	GROMMET	1
28	5PX-14261-00-00	HOLDER	1
29	95027-06010-00	BOLT, FLANGE	1
30	5PX-13973-01-00	PIPE, FUEL 3	1
31	90467-12003-00	CLIP	2
32	5PX-13974-01-00	PIPE, FUEL 4	1
33	90467-12003-00	CLIP	2
34	5PX-13906-00-00	REGULATOR, PRESSURE	1
35	5PX-13595-00-00	JOINT	1
36	91317-05016-00	BOLT	2
37	5PX-13544-00-00	HOSE, VACUUM SENSING 2	1
38	90467-07093-00	CLIP	2
39	5PX-13971-01-00	PIPE, FUEL 1	1
40	90464-15003-00	CLAMP	1
41	90464-15004-00	CLAMP	1
42	5PX-13972-00-00	PIPE, FUEL 2	1
43	90464-15002-00	CLAMP	1
44	90464-15003-00	CLAMP	1
45	5PX-14465-00-00	PIPE	1
46	90149-06250-00	SCREW	1
47	5PX-13895-00-00	HOSE, AIR	1
48	5PX-13892-00-00	HOSE, AIR 2	1

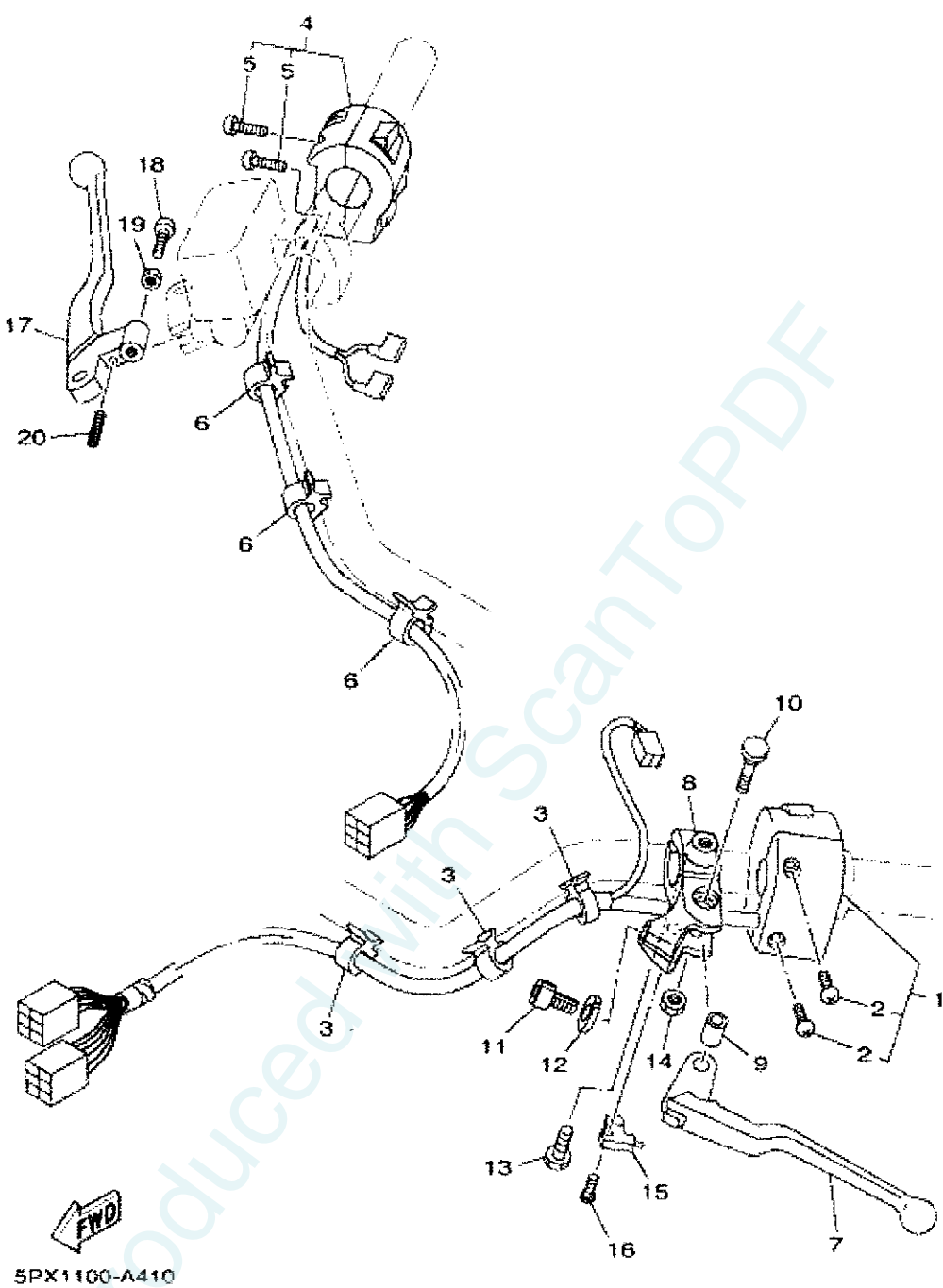
49	5PX-13893-00-00	HOSE, AIR 3	1
50	5PX-13894-01-00	HOSE, AIR 4	1
51	5PX-13894-12-00	HOSE, AIR 4	1
52	90467-07093-00	CLIP	8
53	90467-08075-00	CLIP	2
54	90464-30040-00	CLAMP	1
55	5JW-82380-00-00	SENSOR, PRESSURE	2
56	90119-05008-00	BOLT, WITH WASHER	2
57	97007-05016-00	BOLT	2
58	92907-05600-00	WASHER, PLATE	2
59	90413-05014-00	WAY 3	1
60	5PX-13569-00-00	PLUG, BLIND	1
61	90467-08075-00	CLIP	1
62	5PX-85880-00-00	LINEAR, CONTROL VALVE	1
63	90464-08051-00	CLAMP	2
64	5PX-14466-00-00	PIPE	2
65	5PX-13545-00-00	HOSE 1	1
66	5PX-13546-00-00	HOSE 2	1
67	5PX-13547-00-00	HOSE 3	1
68	5PX-13548-00-00	HOSE, AIR 4	1
69	90467-10135-00	CLIP	8
70	5PX-13897-00-00	PIPE, AIR	1
71	90467-15001-00	CLIP	2
72	5PX-14454-01-00	JOINT	1
73	90480-13009-00	GROMMET	1
74	90119-06051-00	BOLT, WITH WASHER	1
75	90387-061U9-00	COLLAR	1
76	90338-04208-00	PLUG	1
77	90464-08051-00	CLAMP	1
78	5PX-14349-00-00	PIPE	1
79	90467-09037-00	CLIP	1
80	90464-09M31-00	CLAMP	1



(c) 2005-2009 Yamaha Motor Corporation, U.S.A.

Item	Part #	Description	Notes	Req
1	5PX-84310-01-00	HEADLIGHT UNIT ASSY		1
2	5PX-84315-00-00	RIM, HEADLIGHT		1
3	5PX-84320-00-00	LENS ASSY		1
4	5PX-84318-00-00	STAY, HEADLIGHT 1		1
5	5V2-84314-00-XX	BULB, 12V-60SSW	(H4) HALOGEN	1

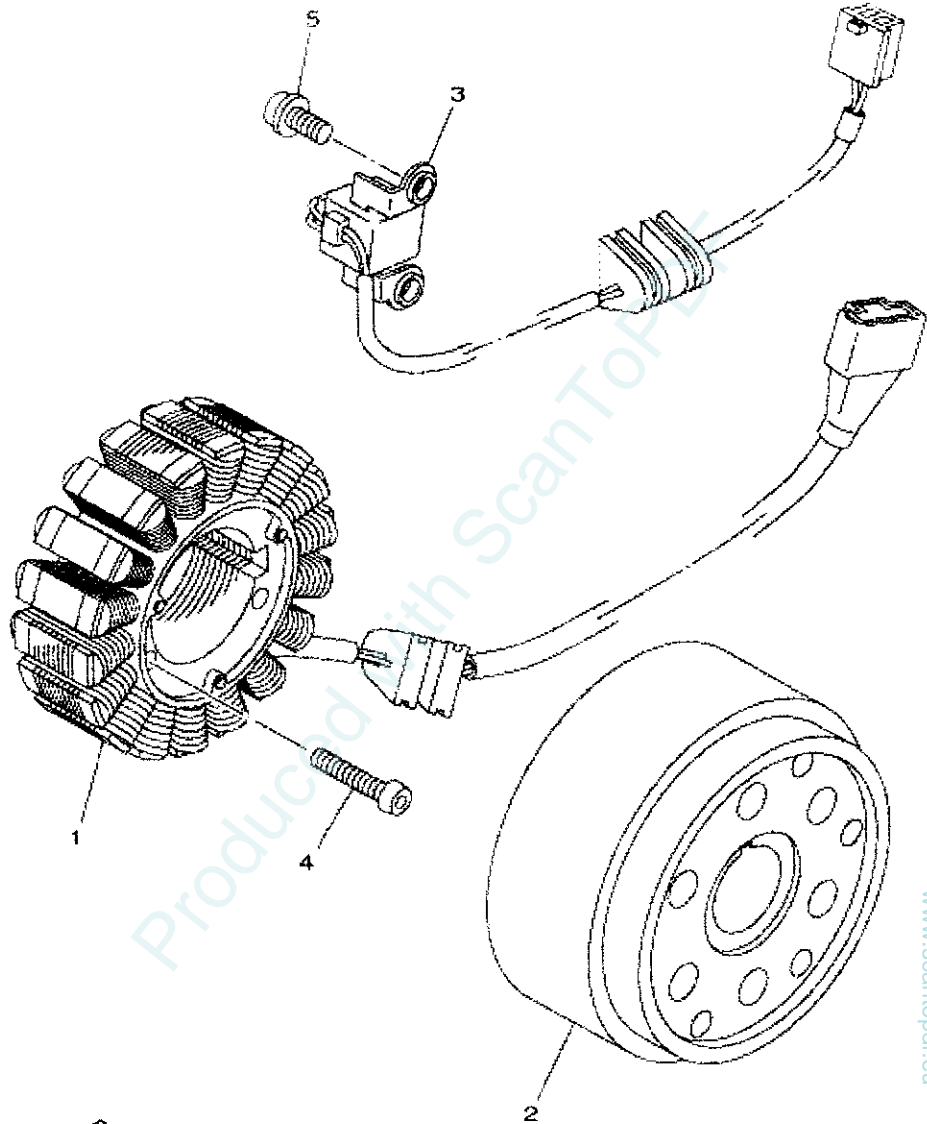
6	5PX-84397-00-00	COVER, SOCKET	1
7	5PX-84331-00-00	SCREW, RIM ADJUSTING	2
8	5PX-84332-00-00	SPRING, SCREW	2
9	5PX-84334-00-00	NUT, ADJUSTING	2
10	5PX-84385-00-00	CAP,1	2
11	5PX-84325-00-00	SCREW, RIM FITTING	2
12	5PX-84354-00-00	GROMMET	2
13	5PX-84125-00-00	SCREW, RIM FITTING	2
14	5PX-84352-00-00	GROMMET	2
15	5PX-84317-00-00	NUT	4
16	5PX-21669-00-00	SEAL	2
17	5PX-84330-00-00	BODY ASSY	1
18	5PX-84366-00-00	DAMPER, HEADLIGHT 1	4
19	90464-13185-00	CLAMP	2
20	5PX-8413G-00-00	PLATE, GUIDE	1
21	98980-05014-00	SCREW, BIND	2
22	95027-06025-00	BOLT, FLANGE	4
23	90387-06049-00	COLLAR	4
24	90464-12089-00	CLAMP	1



(c) 2005-2009 Yamaha Motor Corporation, U.S.A.

Item	Part #	Description	Notes	Req
1	5PX-83973-00-00	SWITCH, HANDLE 3		1
2	98580-05025-00	SCREW, PAN HEAD		2
3	90464-15192-00	CLAMP		3
4	5PX-83975-00-00	SWITCH, HANDLE 2		1
5	98507-05025-00	SCREW, PAN HEAD		2

6	90464-10190-00	CLAMP	3
7	4WM-83912-00-00	LEVER 1	1
8	5BN-82911-00-00	HOLDER, LEVER 1	1
9	4TR-83913-00-00	COLLAR, LEVER 1	1
10	4TR-83945-00-00	BOLT, LEVER	1
11	90123-08046-00	BOLT	1
12	90179-08148-00	NUT	1
13	97004-06020-00	BOLT	1
14	95604-06100-00	NUT, U	1
15	3YX-82917-01-00	SWITCH	1
16	98707-03020-00	SCREW, FLAT HEAD	1
17	5EY-83922-00-00	LEVER 2	1
18	90149-06131-00	SCREW	1
19	90170-06010-00	NUT	1
20	90501-10312-00	SPRING, COMPRESSION	1



Item	Part #	Description	Notes	Req
1	5PX-81410-10-00	STATOR ASSY		1
2	5PX-81450-00-00	ROTOR ASSY		1
3	5PX-81670-00-00	PICK-UP ASSY		1
4	90149-06019-00	SCREW		3
5	90159-06004-00	SCREW, WITH WASHER		2