

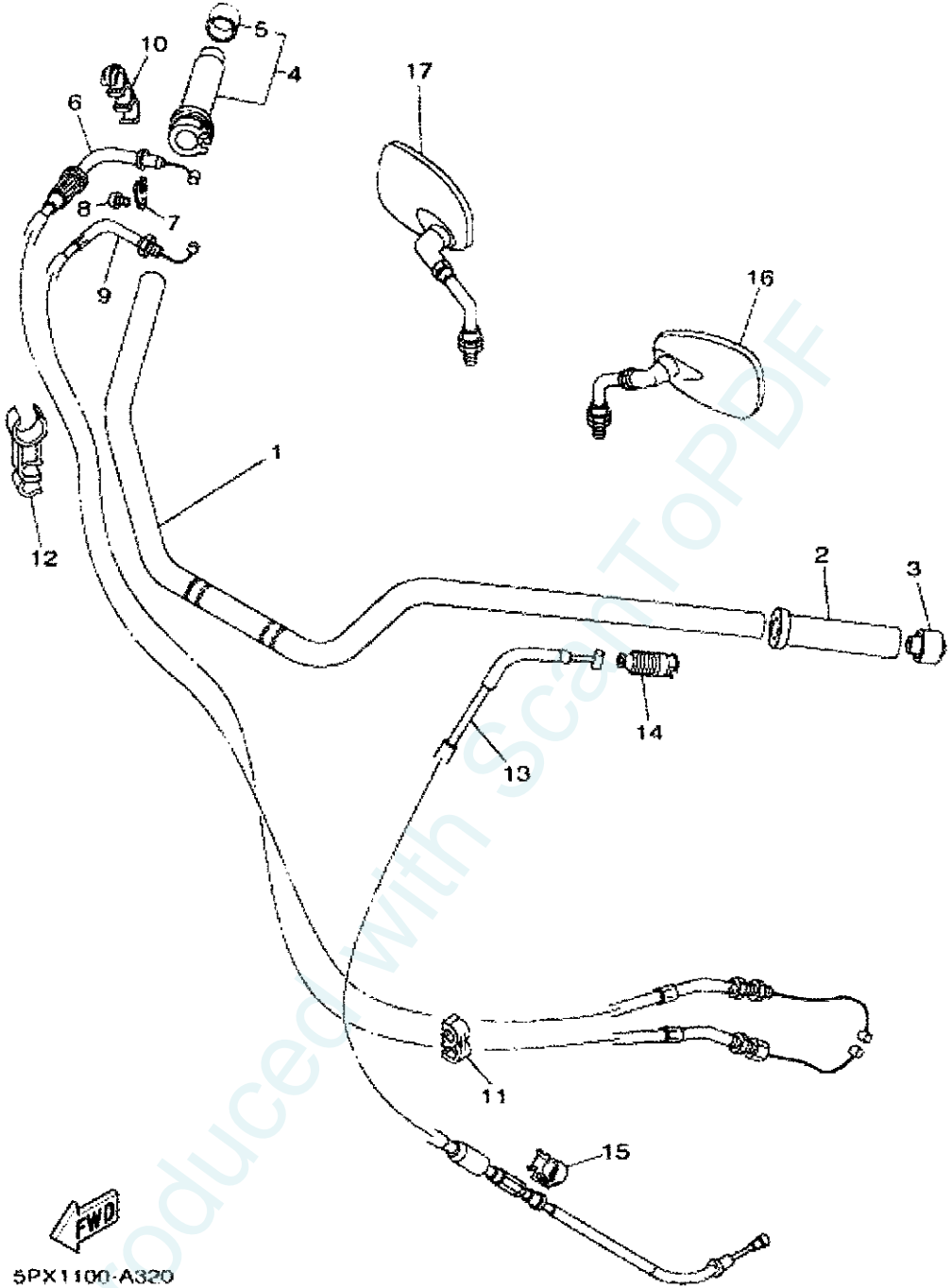
(c) 2005-2009 Yamaha Motor Corporation, U.S.A.

Item	Part #	Description	Notes	Req
1	5PX-Y2410-10-02	FUEL TANK COMP.	Use for Color DARK GRAY METALLIC A (DNMA / 0821)	1
	5PX-Y2410-10-04	FUEL TANK COMP.	Use for Color SILVER 3 (S3 / 0791)	1
2	5PX-24150-00-00	EMBLEM SET	Use for Color DARK GRAY METALLIC A (DNMA / 0821)	1
	5PX-24150-30-00	EMBLEM SET	Use for Color SILVER 3 (S3 / 0791)	1
3	5PX-24602-01-00	CAP ASSY		1

4	91380-05012-00	BOLT	1
5	95707-05500-00	NUT, FLANGE	1
6	90110-05112-00	BOLT, HEXAGON SOCKET HEAD	4
7	91317-05010-00	BOLT	1
8	5PX-24560-00-00	FILTER ASSY	1
9	4X8-24512-00-00	O-RING	1
10	90202-05193-00	WASHER, PLATE	2
11	95027-06016-00	BOLT, FLANGE	2
12	5PX-24182-01-00	DAMPER, LOCATING 2	1
13	5PX-2413Y-01-00	BRACKET, TANK FITTING	1
14	5PX-24183-01-00	DAMPER, LOCATING 3	1
15	5PX-24186-01-00	WASHER, SPECIAL	1
16	92017-08012-00	BOLT, BUTTON HEAD	1
17	2YK-24181-10-00	DAMPER, LOCATING 1	2
18	5PX-2414K-00-00	DAMPER, PLATE 3	1
19	5PX-2414H-00-00	DAMPER, PLATE 1	1
20	5PX-2414J-00-00	DAMPER, PLATE 2	1
21	4GY-24188-00-00	MOLD, FUEL TANK	1
22	1JK-21735-00-00	SEAL 2	1
23	5PX-24176-01-00	BOLT 1	2
24	90176-06055-00	NUT, CROWN	2
25	5PX-24311-00-00	PIPE, FUEL 1	1
26	5PX-24393-00-00	SPRING	1
27	5PX-2411M-00-00	CLIP	2
28	5PX-24305-00-00	FUEL PIPE JOINT COMP. 2	1
29	5PX-24304-01-00	FUEL PIPE JOINT COMP. 1	1
30	97027-05020-00	BOLT	1
31	92907-05600-00	WASHER, PLATE	1
32	5PX-24312-00-00	PIPE 2	1
33	5PX-2411M-00-00	CLIP	2
34	90464-16006-00	CLAMP	1
35	5PX-24313-00-00	PIPE 3	1
36	5PX-2411M-00-00	CLIP	2
37	5PX-24305-00-00	FUEL PIPE JOINT COMP. 2	1
38	5PX-24304-11-00	FUEL PIPE JOINT COMP. 1	1
39	97027-05020-00	BOLT	1
40	92907-05600-00	WASHER, PLATE	1
41	5PX-2419F-00-00	BRACKET, CANISTOR	1
42	97027-05012-00	BOLT	2
43	92907-05600-00	WASHER, PLATE	2
44	5PX-24314-00-00	PIPE 4	1
45	5PX-2411M-00-00	CLIP	2
46	5PX-24280-00-00	TANK, FUEL	1
47	90480-18003-00	GROMMET	3

48	90387-0700G-00	COLLAR	3
49	95817-06030-00	BOLT, FLANGE	3
50	5PX-24491-00-00	BRACKET, FUEL PUMP	1
51	90149-05244-00	SCREW	6
52	5PX-24486-00-00	O-RING	1
53	5PX-24145-00-00	PLATE, DAMPER	1
54	5PX-24318-01-00	PIPE, OVERFLOW	1
55	90467-09103-00	CLIP	2
56	90413-07007-00	WAY 3	1
57	5PX-24321-01-00	PIPE 10	1
58	90467-09103-00	CLIP	2
59	5PX-24322-10-00	PIPE 11	1
60	90467-09103-00	CLIP	1
61	90467-09001-00	CLIP	1
62	5PX-24180-00-00	ROLL OVER VALVE ASSY	1
63	5PX-24136-00-00	CLAMP 2	1
64	90176-05054-00	NUT, CROWN	1
65	5PX-24323-01-00	PIPE 12	1
66	90467-09001-00	CLIP	1
67	5PX-24322-10-00	PIPE 11	1
68	90467-09103-00	CLIP	1
69	90467-09001-00	CLIP	1
70	5PX-24180-00-00	ROLL OVER VALVE ASSY	1
71	5PX-24136-00-00	CLAMP 2	1
72	90176-05054-00	NUT, CROWN	1
73	5PX-24323-11-00	PIPE 12	1
74	90467-09001-00	CLIP	1
75	90467-09103-00	CLIP	1
76	5PX-24170-00-00	CANISTER ASSY	1
77	90201-06023-00	WASHER, PLATE	2
78	90111-06046-00	BOLT	2
79	5PX-24325-00-00	PIPE 14	1
80	90467-10041-00	CLIP	1
81	90467-09103-00	CLIP	1
82	5PX-24364-00-00	STAY	1
83	90464-23041-00	CLAMP	1
84	90464-10125-00	CLAMP	1
85	5PX-2172E-00-00	STAY, SIDE COVER 1	1
86	92017-08025-00	BOLT, BUTTON HEAD	2
87	5PX-13907-00-00	FUEL PUMP COMP.	1

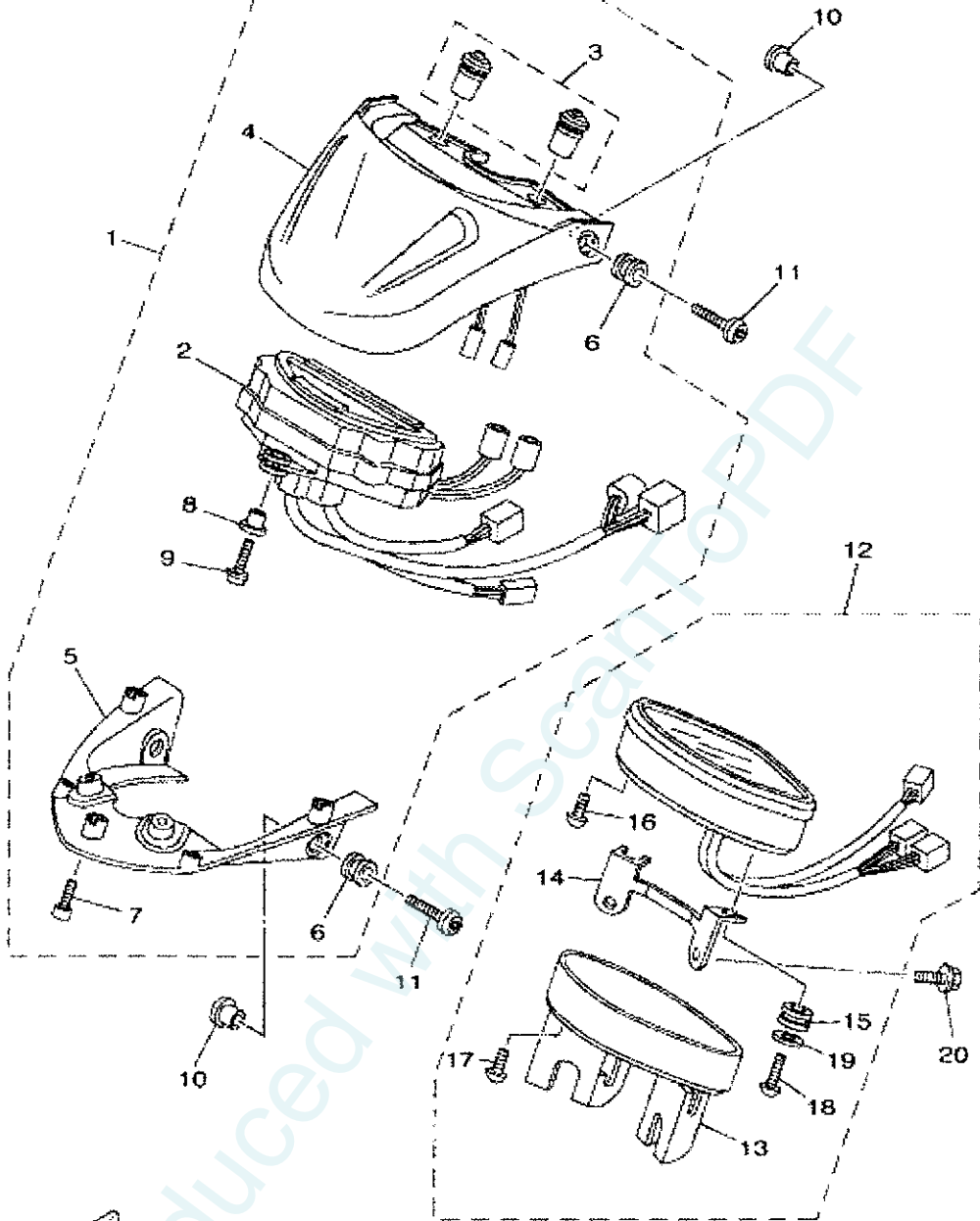
6	91314-06070-00	BOLT	1
7	5PX-13418-00-00	PIPE, OIL 2	1
8	93210-19522-00	O-RING	2
9	91314-06045-00	BOLT	2
10	91314-06020-00	BOLT	2
11	5PX-13161-00-00	PIPE, DELIVERY 1	1
12	93210-13657-00	O-RING	1
13	93210-16629-00	O-RING	1
14	91314-06020-00	BOLT	4
15	5MB-13461-00-00	PLATE, ADAPTOR	1
16	3FV-13440-10-00	ELEMENT ASSY, OIL CLEANER	1
17	90401-20145-00	BOLT, UNION	1
18	93210-23326-00	O-RING	2
19	90110-06047-00	BOLT, HEXAGON SOCKET HEAD	4
20	4WM-13181-00-00	PIPE, DELIVERY 3	1
21	93210-08006-00	O-RING	1
22	93210-07003-00	O-RING	1



(c) 2005-2009 Yamaha Motor Corporation, U.S.A.

Item	Part #	Description	Notes	Req
1	5PX-26111-00-00	HANDLEBAR		1
2	4NK-26241-00-00	GRIP (LEFT)		1
3	4NK-2628J-00-00	CAP, GRIP		1
4	4NK-26240-00-00	GRIP ASSY		1
5	4NK-2635J-00-00	CAP 2		1

6	5PX-26311-00-00	CABLE, THROTTLE 1	1
7	5H0-26393-00-00	HOLDER	1
8	98507-05008-00	SCREW, PAN HEAD	1
9	5PX-26312-00-00	CABLE, THROTTLE 2	1
10	90468-07179-00	CLIP	1
11	90464-06214-00	CLAMP	2
12	90464-11006-00	CLAMP	1
13	5PX-26335-00-00	CABLE, CLUTCH	1
14	1E6-26342-00-00	BOOT, CABLE	1
15	90464-10190-00	CLAMP	1
16	4NK-26280-00-00	REAR VIEW MIRROR ASSY (LEFT)	1
17	4NK-26290-00-00	REAR VIEW MIRROR ASSY (RIGHT)	1

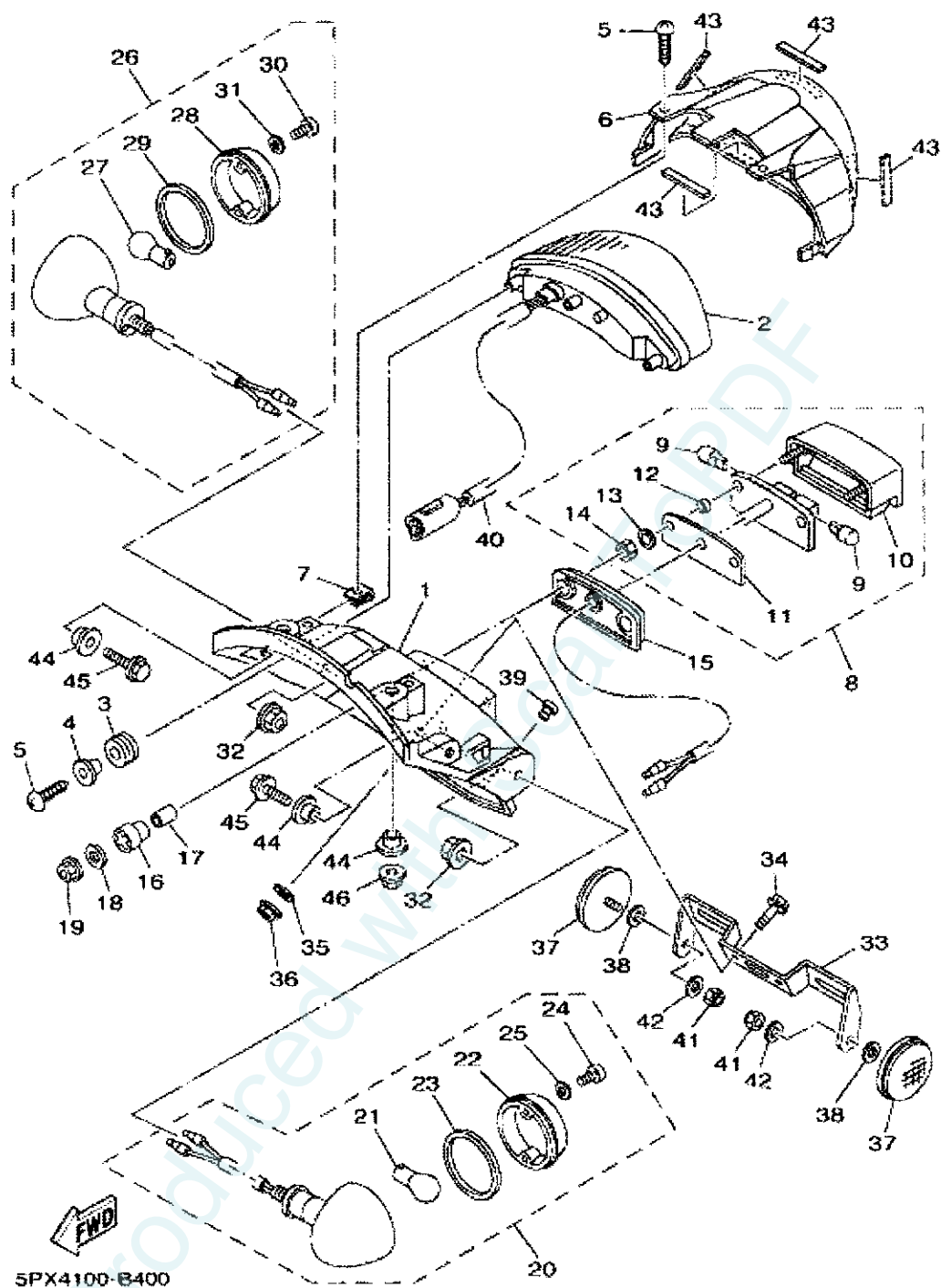


5PX1100-A380

(c) 2005-2009 Yamaha Motor Corporation, U.S.A.

Item	Part #	Description	Notes	Req
1	5PX-83500-20-00	METER ASSY		1
2	5PX-8358G-20-00	LCD ASSY		1
3	5PX-8358J-00-00	SWITCH, METER CONTROL		1
4	5PX-8357B-00-00	COVER, METER 1 ASSY		1
5	5PX-83579-00-00	COVER, METER 2		1

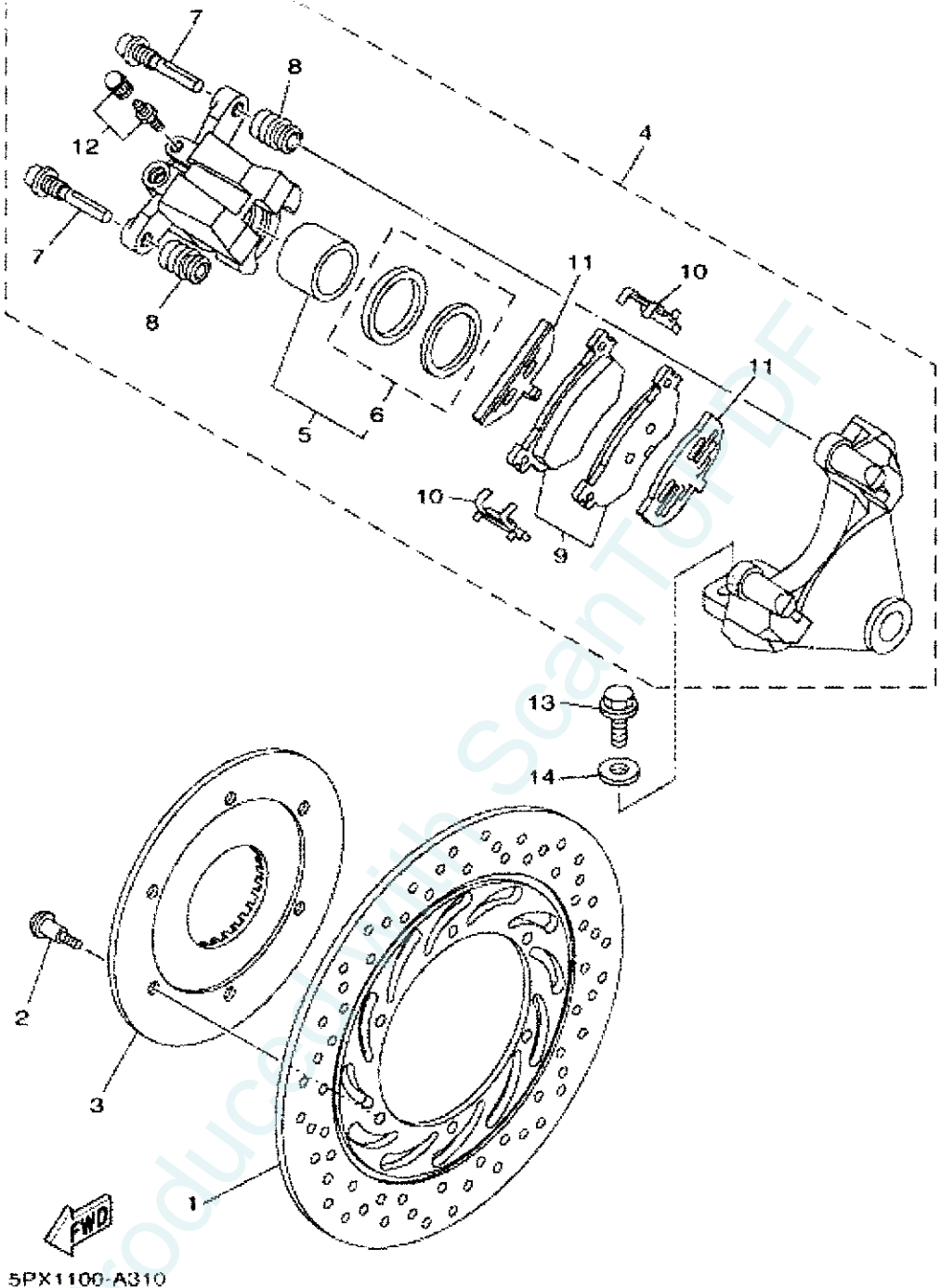
6	90480-12007-00	GROMMET	4	
7	91380-04010-00	BOLT	5	
8	5PX-83522-00-00	COLLAR	3	
9	97602-03112-00	SCREW, PAN HEAD WITH WASHER	3	
10	90560-06201-00	SPACER	4	
11	90149-06302-00	SCREW	4	
12	5PX-83570-00-00	TACHOMETER ASSY	MPH	1
13	5PX-83507-00-00	COVER, SPEEDOMETER	1	
14	5PX-83519-00-00	BRACKET, METER	1	
15	4XV-83513-00-00	DAMPER	2	
16	97707-30014-00	SCREW, TAPPING	4	
17	90164-03010-00	SCREW, TAPPING	4	
18	97707-50016-00	SCREW, TAPPING	2	
19	53Y-83524-00-00	WASHER, SPECIAL	2	
20	91314-08012-00	BOLT	2	



(c) 2005-2009 Yamaha Motor Corporation, U.S.A.

Item	Part #	Description	Notes	Req
1	5PX-84711-00-00	BASE, TAILLIGHT		1
2	5PX-84710-00-00	TAILLIGHT UNIT ASSY		1
3	5PX-84553-00-00	DAMPER		3
4	5PX-84557-00-00	COLLAR		3
5	97707-50012-00	SCREW, TAPPING		5

6	5PX-84716-00-00	COVER, TAILLIGHT	1
7	90183-05042-00	NUT, SPRING	2
8	5PX-84745-00-00	LICENSE LIGHT UNIT ASSY	1
9	5PX-84744-00-00	BULB (12V-2CP)	2
10	5PX-84749-00-00	BODY, LICENSE LIGHT	1
11	3J2-84772-00-00	WASHER	1
12	3J2-84757-00-00	COLLAR, LICENSE BRACKET	2
13	3J2-84754-00-00	WASHER, SPECIAL	2
14	5PX-84748-00-00	NUT, SPECIAL	2
15	5PX-84742-00-00	SEAT, BASE	1
16	3F9-84553-00-00	DAMPER	2
17	90387-06241-00	COLLAR	2
18	90201-05033-00	WASHER, PLATE	2
19	95707-05500-00	NUT, FLANGE	2
20	5PX-83330-00-00	REAR FLASHER LIGHT ASSY 1	1
21	4HY-83311-00-00	BULB, FLASHER (12V-23W)	1
22	5PX-83312-00-00	LENS, FLASHER	1
23	5PX-83313-00-00	GASKET, FLASHER LENS	1
24	5PX-83358-00-00	SCREW, SPECIAL	2
25	5PX-83348-00-00	WASHER	2
26	5PX-83340-00-00	FLASHER LIGHT ASSY 2	1
27	137-84714-61-XX	BULB (12V-23/8W)	1
28	5PX-83342-00-00	LENS, FLASHER 2	1
29	5PX-83313-00-00	GASKET, FLASHER LENS	1
30	5PX-83358-00-00	SCREW, SPECIAL	2
31	5PX-83348-00-00	WASHER	2
32	95707-12500-00	NUT, FLANGE	2
33	5PX-84751-00-00	BRACKET, LICENSE	1
34	95027-06014-00	BOLT, FLANGE	2
35	90201-06380-00	WASHER, PLATE	2
36	95607-06100-00	NUT, U	2
37	449-85131-02-00	REFLECTOR, REAR 1	2
38	90201-05033-00	WASHER, PLATE	2
39	90338-06018-00	PLUG	1
40	5PX-84717-00-00	CORD, TAILLIGHT	1
41	5PX-84548-00-00	NUT, U	2
42	5PX-84754-00-00	WASHER, PLATE	2
43	5PX-84753-00-00	DAMPER	4
44	90387-06648-00	COLLAR	4
45	95807-06012-00	BOLT, FLANGE	2
46	95607-06200-00	NUT, SELF U-FLANGE	2

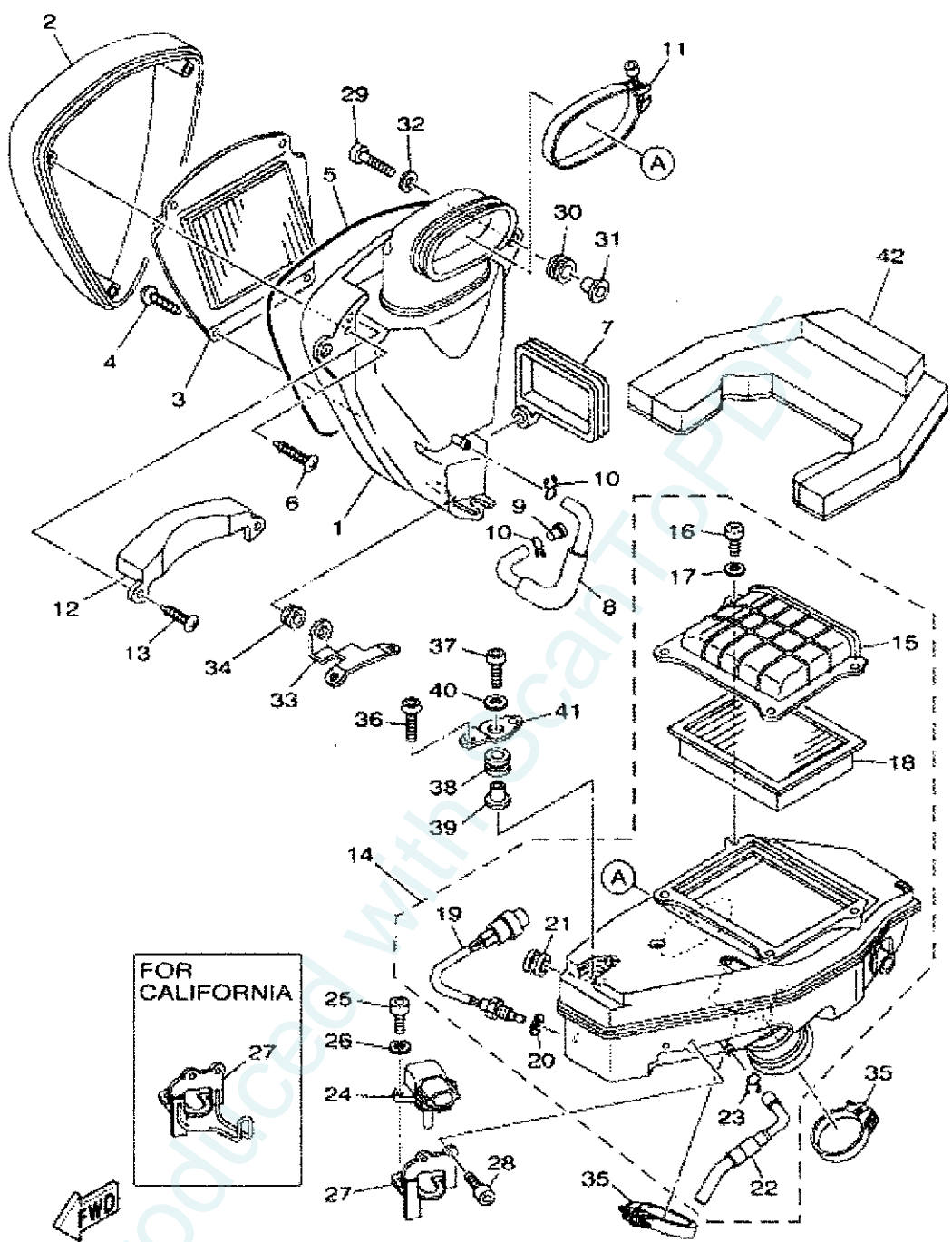


5PX1100-A310

(c) 2005-2009 Yamaha Motor Corporation, U.S.A.

Item	Part #	Description	Notes	Req
1	5EL-2582W-00-00	DISK, REAR BRAKE 2		1
2	90109-06049-00	BOLT		6
3	5PX-25345-00-00	INSERT, PLATE		1
4	5PX-2580W-00-00	CALIPER ASSY, REAR 2		1
5	5JW-W0057-00-00	PISTON ASSY, CALIPER		1

6	5JW-W0047-00-00	CALIPER SEAL KIT	1
7	5JW-25914-10-00	PIN, SLIDE	2
8	4TT-25937-00-00	BOOT 2	2
9	5JW-W0046-00-00	BRAKE PAD KIT 2	1
10	5JW-25919-00-00	SUPPORT, PAD	2
11	5JW-25827-00-00	SHIM, CALIPER	2
12	51L-W0048-00-00	BLEED SCREW KIT	1
13	95814-10025-00	BOLT, FLANGE	1
14	90201-106F2-00	WASHER, PLATE	1

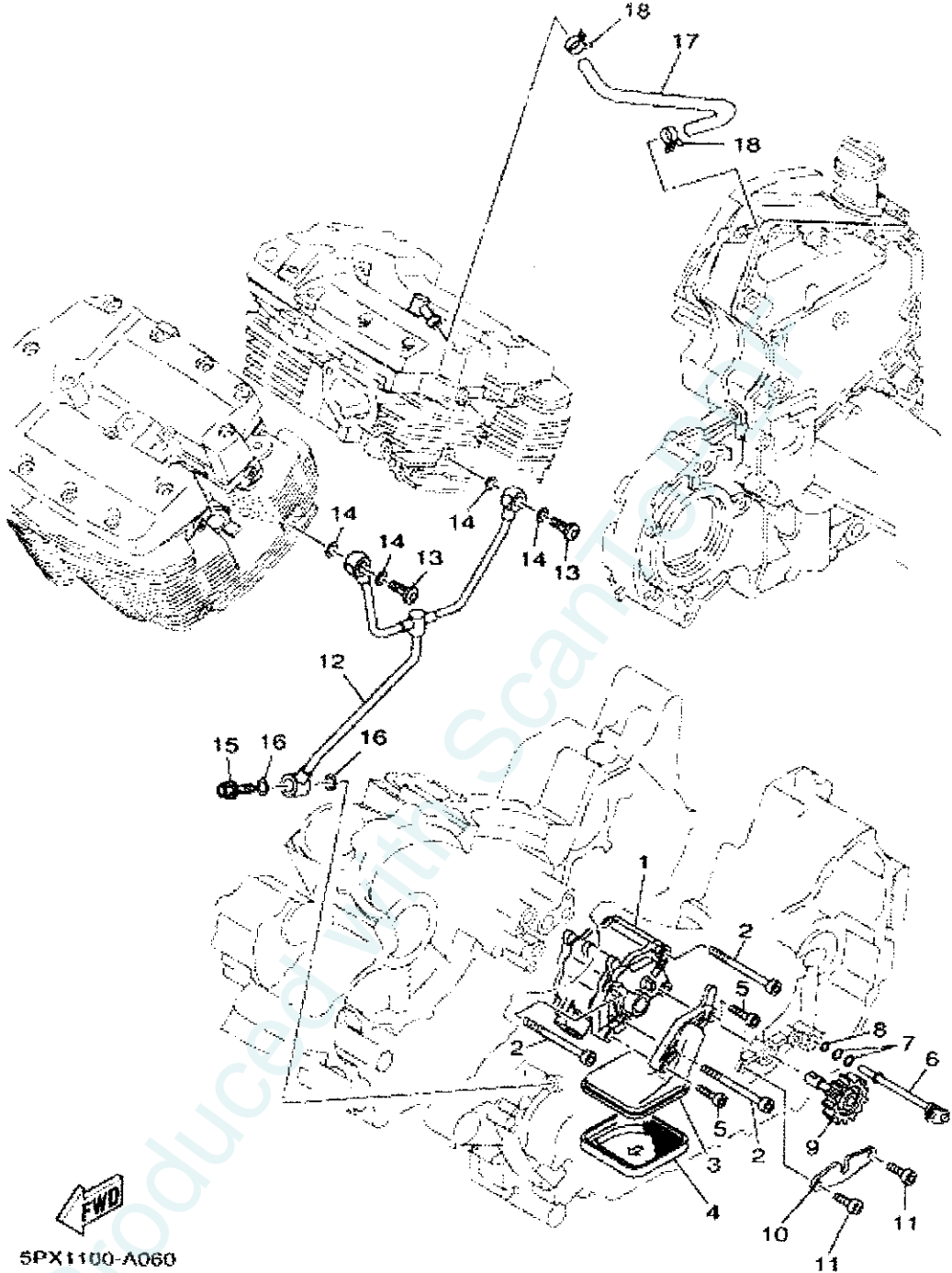


5PX1100-A090

(c) 2005-2009 Yamaha Motor Corporation, U.S.A.

Item	Part #	Description	Notes	Req
1	5PX-W1441-00-00	AIR CLEANER CASE COMP.		1
2	5PX-14421-00-00	CASE, AIR CLEANER 2		1
3	5PX-14451-00-00	ELEMENT, AIR CLEANER		1
4	97707-50516-00	SCREW, TAPPING		4
5	5PX-14452-00-00	SEAL		1

6	97707-60525-00	SCREW, TAPPING	3
7	5PX-14437-00-00	DUCT	1
8	5PX-14148-00-00	PIPE	1
9	90338-08174-00	PLUG	1
10	90467-11106-00	CLIP	2
11	5PX-14455-00-00	BAND	1
12	5PX-1441A-00-00	COVER, CLEANER CASE 1	1
13	97707-50010-00	SCREW, TAPPING	2
14	5PX-14440-01-00	SILENCER ASSY, INTAKE	1
15	5PX-14412-00-00	CAP, CLEANER CASE 1	1
16	98507-05010-00	SCREW, PAN HEAD	4
17	92907-05600-00	WASHER, PLATE	4
18	5PX-14461-00-00	ELEMENT, AIR CLEANER 2	1
19	5PX-85790-00-00	THERMOSENSOR ASSY	1
20	90430-12202-00	GASKET	1
21	90480-16001-00	GROMMET	1
22	5PX-1443E-01-00	PIPE, DRAIN	1
23	90467-09103-00	CLIP	1
24	5JW-82380-00-00	SENSOR, PRESSURE	1
25	97007-05016-00	BOLT	2
26	92907-05600-00	WASHER, PLATE	2
27	5PX-14413-00-00	STAY	1
	5PX-14413-10-00	STAY	1
28	91317-05010-00	BOLT	2
29	90110-06240-00	BOLT, HEXAGON SOCKET HEAD	2
30	90480-14023-00	GROMMET	2
31	90387-07391-00	COLLAR	2
32	90209-06250-00	WASHER	2
33	5PX-14498-00-00	STAY 1	1
34	90480-13398-00	GROMMET	1
35	90450-52001-00	HOSE CLAMP ASSY	2
36	92017-06016-00	BOLT, BUTTON HEAD	1
37	92017-06025-00	BOLT, BUTTON HEAD	1
38	90480-14023-00	GROMMET	1
39	90387-07391-00	COLLAR	1
40	90209-06250-00	WASHER	1
41	5PX-14414-01-00	STAY 2	1
42	5PX-1449E-00-00	COVER, AIR CLEANER	1

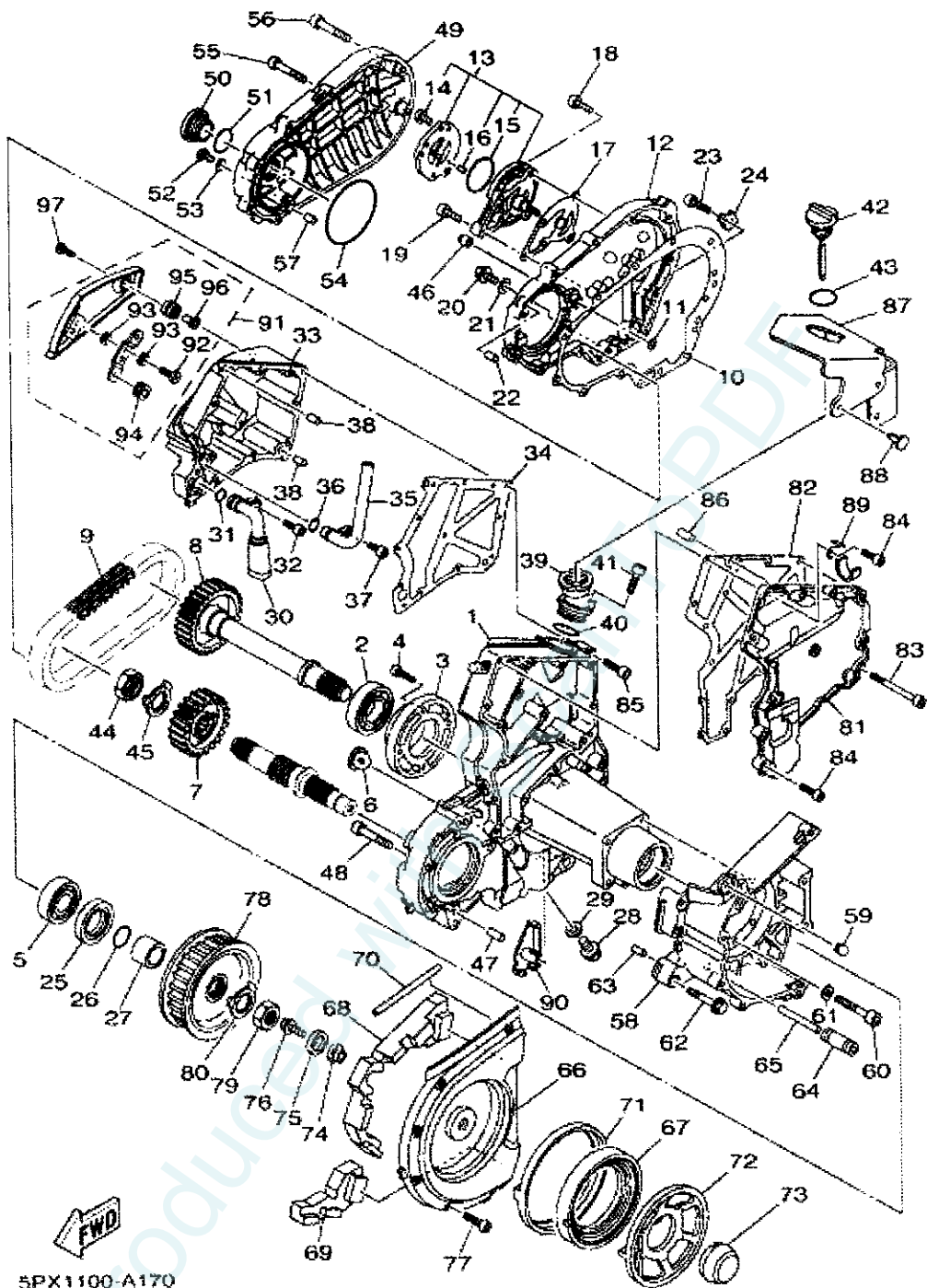


5PX1100-A060

(c) 2005-2009 Yamaha Motor Corporation, U.S.A.

Item	Part #	Description	Notes	Req
1	5PX-13300-00-00	OIL PUMP ASSY		1
2	91317-06080-00	BOLT		3
3	4WM-13412-00-00	HOUSING, STRAINER		1
4	4WM-13411-00-00	STRAINER, OIL		1
5	90110-06057-00	BOLT, HEXAGON SOCKET HEAD		2

6	4WM-13171-00-00	PIPE, DELIVERY 2	1
7	93210-09754-00	O-RING	2
8	93210-06667-00	O-RING	1
9	5PX-13360-00-00	DRIVEN GEAR ASSY	1
10	4WM-1357N-01-00	PLATE, STOPPER 1	1
11	91317-06016-00	BOLT	2
12	5PX-13405-00-00	OIL PIPE COMP. 1	1
13	90401-10175-00	BOLT, UNION	2
14	90430-10188-00	GASKET	4
15	90401-08001-00	BOLT, UNION	1
16	90430-08119-00	GASKET	2
17	5PX-13464-00-00	HOSE, OIL 1	1
18	90467-110A0-00	CLIP	2



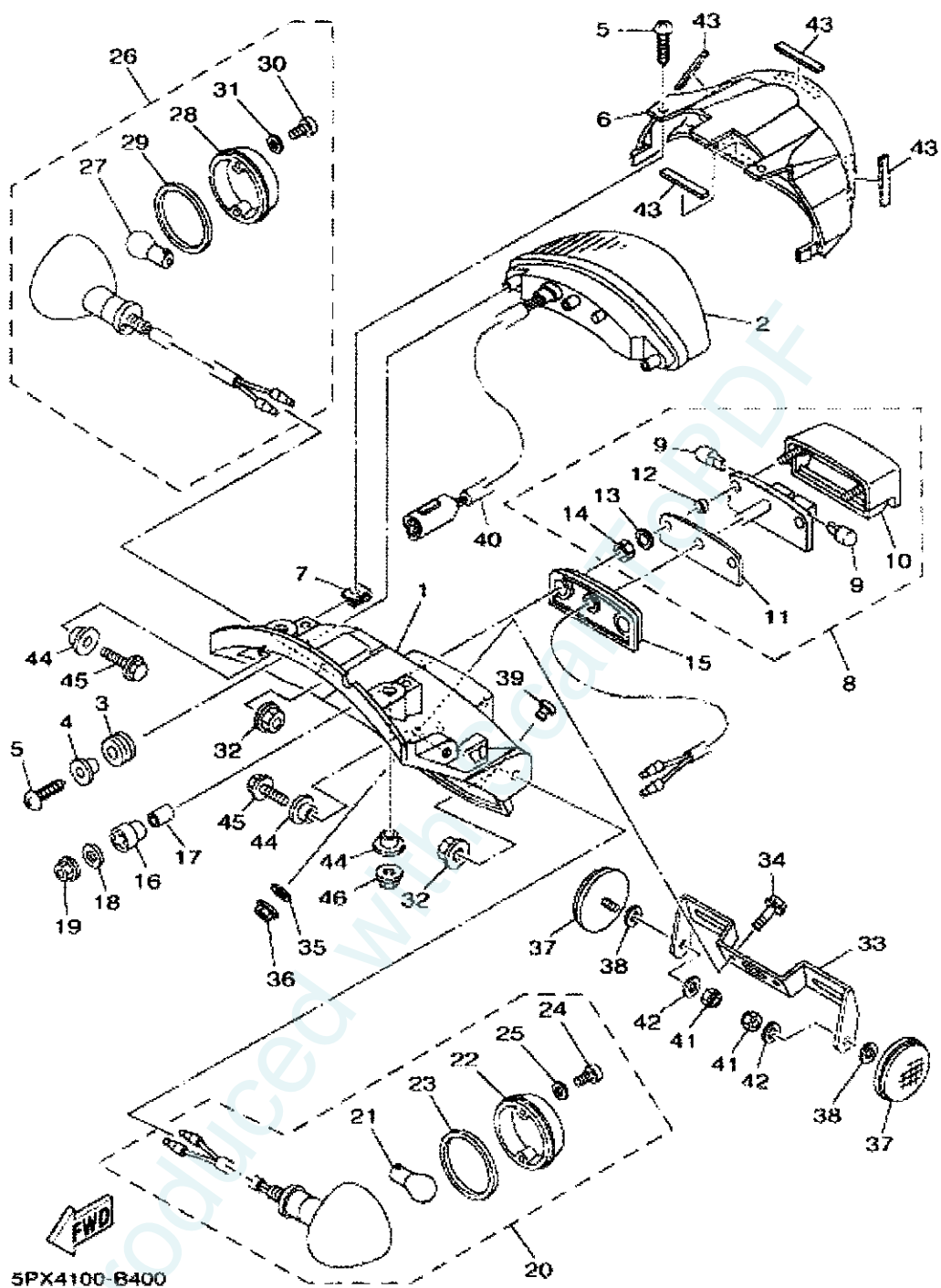
(c) 2005-2009 Yamaha Motor Corporation, U.S.A.

Item	Part #	Description	Notes	Req
1	5PX-17541-00-00	CASE, TRANSFER 1		1
2	93306-20715-00	BEARING		1
3	5PX-17521-00-00	HOUSING, BEARING		1
4	90110-06039-00	BOLT, HEXAGON SOCKET HEAD		4
5	93306-20601-00	BEARING (B6206C3)		1

6	4WM-13286-00-00	CLEANER	1
7	4WM-17682-00-00	SPROCKET, CHAIN DRIVE	1
8	5PX-1755A-00-00	MIDDLE DRIVEN SHAFT ASSY	1
9	4WM-16139-00-00	CHAIN, PRIMARY	1
10	5PX-17929-00-00	GASKET 1	1
11	4WM-17931-00-00	GASKET 2	1
12	5PX-17542-00-00	CASE, TRANSFER 2	1
13	5PX-13100-00-00	OIL PUMP ASSY	1
14	90110-06004-00	BOLT, HEXAGON SOCKET HEAD	2
15	93210-48214-00	O-RING	1
16	93603-07073-00	PIN, DOWEL	2
17	4WM-13116-00-00	GASKET, PUMP CASE	1
18	90110-06047-00	BOLT, HEXAGON SOCKET HEAD	3
19	90110-06039-00	BOLT, HEXAGON SOCKET HEAD	2
20	95814-08016-00	BOLT, FLANGE	1
21	90430-08119-00	GASKET	1
22	99530-10114-00	PIN, DOWEL	2
23	91314-08025-00	BOLT	6
24	5PX-17691-00-00	PLATE 3	1
25	93102-40330-00	OIL SEAL	1
26	93210-30660-00	O-RING	1
27	90387-3003P-00	COLLAR	1
28	90340-14132-00	PLUG, STRAIGHT SCREW	1
29	214-11198-01-00	GASKET	1
30	5PX-13421-00-00	STRAINER 2	1
31	93210-14003-00	O-RING	1
32	91317-06012-00	BOLT	1
33	5PX-17631-00-00	CAP	1
34	5PX-17932-01-00	GASKET,3	1
35	5PX-13582-00-00	PIPE	1
36	93210-14003-00	O-RING	1
37	91317-06012-00	BOLT	1
38	99530-10114-00	PIN, DOWEL	2
39	5PX-13132-00-00	JOINT	1
40	93210-35512-00	O-RING	1
41	90110-06039-00	BOLT, HEXAGON SOCKET HEAD	1
42	5PX-15362-00-00	PLUG, OIL LEVEL	1
43	93210-35512-00	O-RING	1
44	90179-22004-00	NUT	1
45	90215-30233-00	WASHER, LOCK	1
46	90179-08004-00	NUT	1
47	99530-10114-00	PIN, DOWEL	2
48	91314-08050-00	BOLT	4
49	5PX-15779-00-00	COVER	1

50	90340-32002-00	PLUG, STRAIGHT SCREW	1
51	93210-32172-00	O-RING	1
52	92014-06010-00	BOLT, BUTTON HEAD	1
53	90430-06016-00	GASKET	1
54	93210-92448-00	O-RING	1
55	91314-06050-00	BOLT	5
56	91314-08055-00	BOLT	2
57	99530-10114-00	PIN, DOWEL	2
58	5PX-17613-00-00	STAY	1
59	5PX-17654-00-00	SPACER 1	1
60	91317-10050-00	BOLT	5
61	92907-10600-00	WASHER, PLATE	5
62	95814-10050-00	BOLT, FLANGE	3
63	99480-10018-00	PIN	2
64	4WM-17653-00-00	SLIDER	2
65	93606-76259-00	PIN, DOWEL	2
66	5PX-17076-00-00	COVER	1
67	5PX-17655-00-00	DAMPER, SLIDER	1
68	5PX-1542B-00-00	DAMPER 2	1
69	5PX-1542C-00-00	DAMPER 3	1
70	5PX-15491-00-00	PROTECTOR	1
71	5PX-15449-00-00	RING, RUBBER	1
72	5PX-17665-00-00	PLATE 1	1
73	5PX-17675-00-00	PLATE 2	1
74	4H7-15486-00-00	GROMMET	1
75	90209-06096-00	WASHER	1
76	95807-06012-00	BOLT, FLANGE	1
77	91314-06030-00	BOLT	6
78	5PX-17651-00-00	PULLEY, BELT	1
79	90179-22004-00	NUT	1
80	90215-30233-00	WASHER, LOCK	1
81	5PX-17538-00-00	CAP, HOUSING	1
82	5PX-17933-01-00	GASKET,4	1
83	91317-06085-00	BOLT	7
84	91317-06025-00	BOLT	9
85	91317-06045-00	BOLT	3
86	99530-10114-00	PIN, DOWEL	2
87	5PX-1763A-00-00	PLATE, CAP	1
88	90269-07005-00	RIVET	3
89	90485-08038-00	CLAMP	1
90	5PX-17446-00-00	PLATE	1
91	5PX-17471-00-00	PLATE, COVER	1
92	90154-06008-00	SCREW, BINDING	2
93	90201-05013-00	WASHER, PLATE	4

94	90480-13007-00	GROMMET	2
95	90480-13006-00	GROMMET	1
96	90387-07007-00	COLLAR	1
97	90111-06039-00	BOLT	1



(c) 2005-2009 Yamaha Motor Corporation, U.S.A.

Item	Part #	Description	Notes	Req
1	5PX-84711-00-00	BASE, TAILLIGHT		1
2	5PX-84710-00-00	TAILLIGHT UNIT ASSY		1
3	5PX-84553-00-00	DAMPER		3
4	5PX-84557-00-00	COLLAR		3
5	97707-50012-00	SCREW, TAPPING		5

6	5PX-84716-00-00	COVER, TAILLIGHT	1
7	90183-05042-00	NUT, SPRING	2
8	5PX-84745-00-00	LICENSE LIGHT UNIT ASSY	1
9	5PX-84744-00-00	BULB (12V-2CP)	2
10	5PX-84749-00-00	BODY, LICENSE LIGHT	1
11	3J2-84772-00-00	WASHER	1
12	3J2-84757-00-00	COLLAR, LICENSE BRACKET	2
13	3J2-84754-00-00	WASHER, SPECIAL	2
14	5PX-84748-00-00	NUT, SPECIAL	2
15	5PX-84742-00-00	SEAT, BASE	1
16	3F9-84553-00-00	DAMPER	2
17	90387-06241-00	COLLAR	2
18	90201-05033-00	WASHER, PLATE	2
19	95707-05500-00	NUT, FLANGE	2
20	5PX-83330-00-00	REAR FLASHER LIGHT ASSY 1	1
21	4HY-83311-00-00	BULB, FLASHER (12V-23W)	1
22	5PX-83312-00-00	LENS, FLASHER	1
23	5PX-83313-00-00	GASKET, FLASHER LENS	1
24	5PX-83358-00-00	SCREW, SPECIAL	2
25	5PX-83348-00-00	WASHER	2
26	5PX-83340-00-00	FLASHER LIGHT ASSY 2	1
27	137-84714-61-XX	BULB (12V-23/8W)	1
28	5PX-83342-00-00	LENS, FLASHER 2	1
29	5PX-83313-00-00	GASKET, FLASHER LENS	1
30	5PX-83358-00-00	SCREW, SPECIAL	2
31	5PX-83348-00-00	WASHER	2
32	95707-12500-00	NUT, FLANGE	2
33	5PX-84751-00-00	BRACKET, LICENSE	1
34	95027-06014-00	BOLT, FLANGE	2
35	90201-06380-00	WASHER, PLATE	2
36	95607-06100-00	NUT, U	2
37	449-85131-02-00	REFLECTOR, REAR 1	2
38	90201-05033-00	WASHER, PLATE	2
39	90338-06018-00	PLUG	1
40	5PX-84717-00-00	CORD, TAILLIGHT	1
41	5PX-84548-00-00	NUT, U	2
42	5PX-84754-00-00	WASHER, PLATE	2
43	5PX-84753-00-00	DAMPER	4
44	90387-06648-00	COLLAR	4
45	95807-06012-00	BOLT, FLANGE	2
46	95607-06200-00	NUT, SELF U-FLANGE	2